

Pfaff  
Mauser Spezial 9651



**MAUSER  
SPEZIAL<sup>®</sup> 9651**

## **Bestandteileliste**

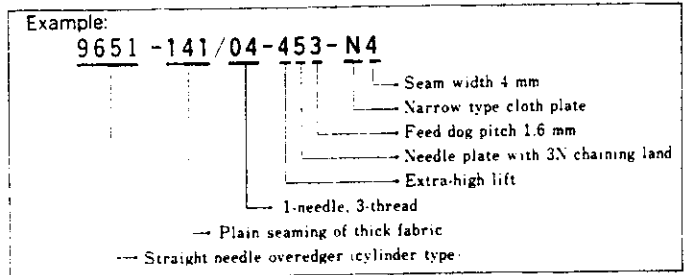
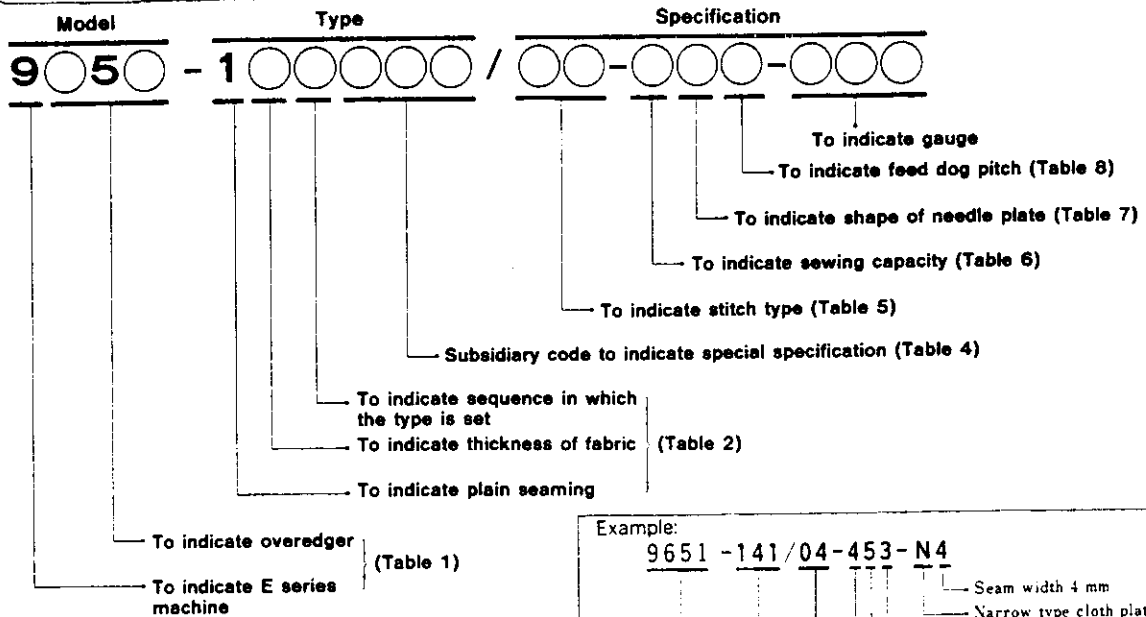
List of spare parts

Liste de pièces détachées

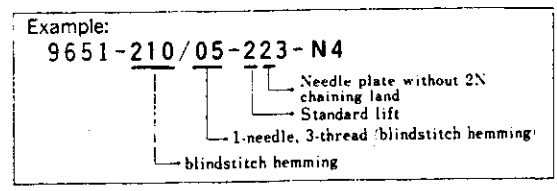
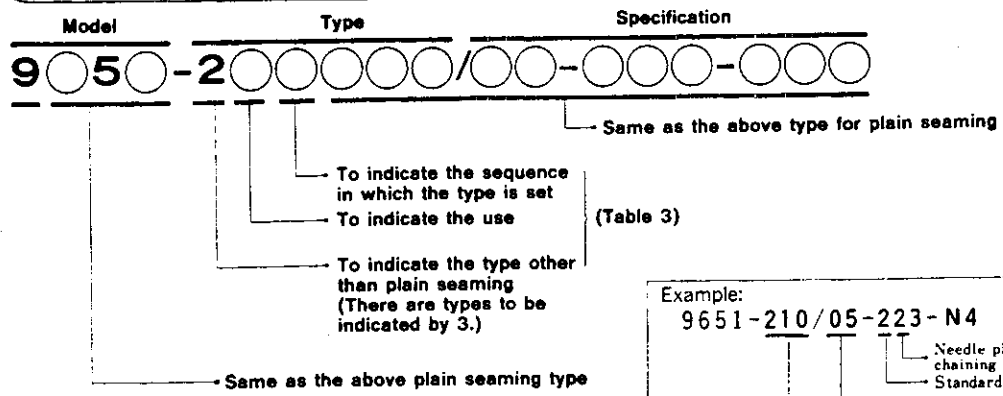
Lista de piezas de repuesto

# TYPE INDICATION METHOD FOR 9652, 9651, 9656A, AND 9656

## Indication Method for Plain Seaming Type

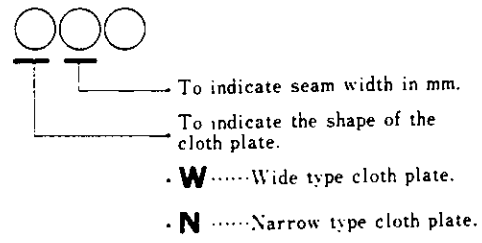


## Indication Method for Type Other Than Plain Seaming

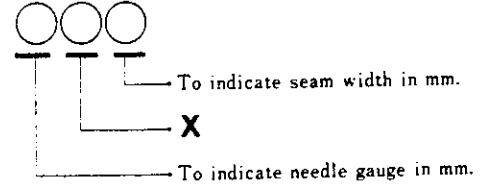


## Method of Indicating Gauge

**1-needle:** Using two figures, indication is made, as follows:



**2-needle:** Using three figures, indication is made, as follows:



**Code No. and Meaning of Model Table 1**

Code No.	Meaning
9652	Straight needle overedger (standard type)
9651	Straight needle overedger (cylinder type)
9656A	Curved needle overedger (standard type)
9656	Curved needle overedger (old type)

**Code No. and Meaning of Seam Type Table 5**

Code No.	Meaning
04	1-needle, 3-thread
05	1-needle, 3-thread (blindstitch hemming)
03	1-needle, 2-thread (serging)
12	2-needle, mock-safety stitch
14	2-needle, 514 stitch

**Code No. and Meaning of Plain Seaming Type Table 2**

Code No.	Meaning
11○	Plain seaming of extra-light weight fabric
12○	Plain seaming of light to medium weight fabrics
13○	Plain seaming of light to medium weight fabrics
14○	Plain seaming of heavy weight fabric
15○	Plain seaming of extra-heavy weight fabric
18○	Babk-latching
19○	Special cup-seaming

**Code No. and Meaning of Sewing Capacity Table 6**

Code No.	Meaning
1	Low lift
2	Standard lift
3	High lift
4	Extra-high lift

**Code No. and Meaning of Type Other Than Plain Seaming Table 3**

Code No.	Meaning
21○	Blindstitch hemming
22○	Serging
23○	Turn-down hemming
24○	Shirring
25○	Tape inserting
26○	Zipper attaching
27○	Toe-closing
28○	—
29○	Special lace runner
35○	Piping

**Code No. and Meaning of Needle Plate Table 7**

Code No.	Meaning
0	1-row or plain
1	With 2N chaining land
2	Without 2N chaining land
3	With 2W chaining land
4	Without 2W chaining land
5	With 3N chaining land
6	Without 3N chaining land
7	With 3W chaining land
8	Without 3W chaining land
9	Special type

**Type Subsidiary Code No. and Meaning Table 4**

Code No.	Meaning
T	Parts for stretchable thread chainare used.
P2	Piping binder is attached.
P1	Piping binder is attachable. (Piping binder is available on order.)
M	High lift type 2-needle machine
F1	Floating presser arm is used. (differs in presser arm)
K	Angled upper knife is used. (differs in upper knife)
Z	DC x 1 (needle) is used. (differs in needle)
C	Differential ratio 1 : 3 (differs in differential ratio)

**Code No. and Meaning of Feed Dog Pitch Table**

Code No.	Meaning
0	With rubber, special
1	Feed dog pitch 1.0 mm
2	Feed dog pitch 1.25 mm
3	Feed dog pitch 1.6 mm
4	Feed dog pitch 2.0 mm
5	Feed dog pitch 2.5 mm
6	Feed dog pitch 3.0 mm

Note: When there are combined more than two of the above special specifications, the above subsidiary code Nos. are indicated in plurality, using two or three figures. Example: MP2, MC, etc.)

**Achtung!**

Ersatzteile bitte nur mit den im Index aufgeführten **PFAFF-NUMMERN** Bestellen (siehe Seiten 47 bis 50).

**Important note:**

For spare part orders please only use the **PFAFF-NUMBERS** listed in the index (pages 47 to 50).

**Important!**

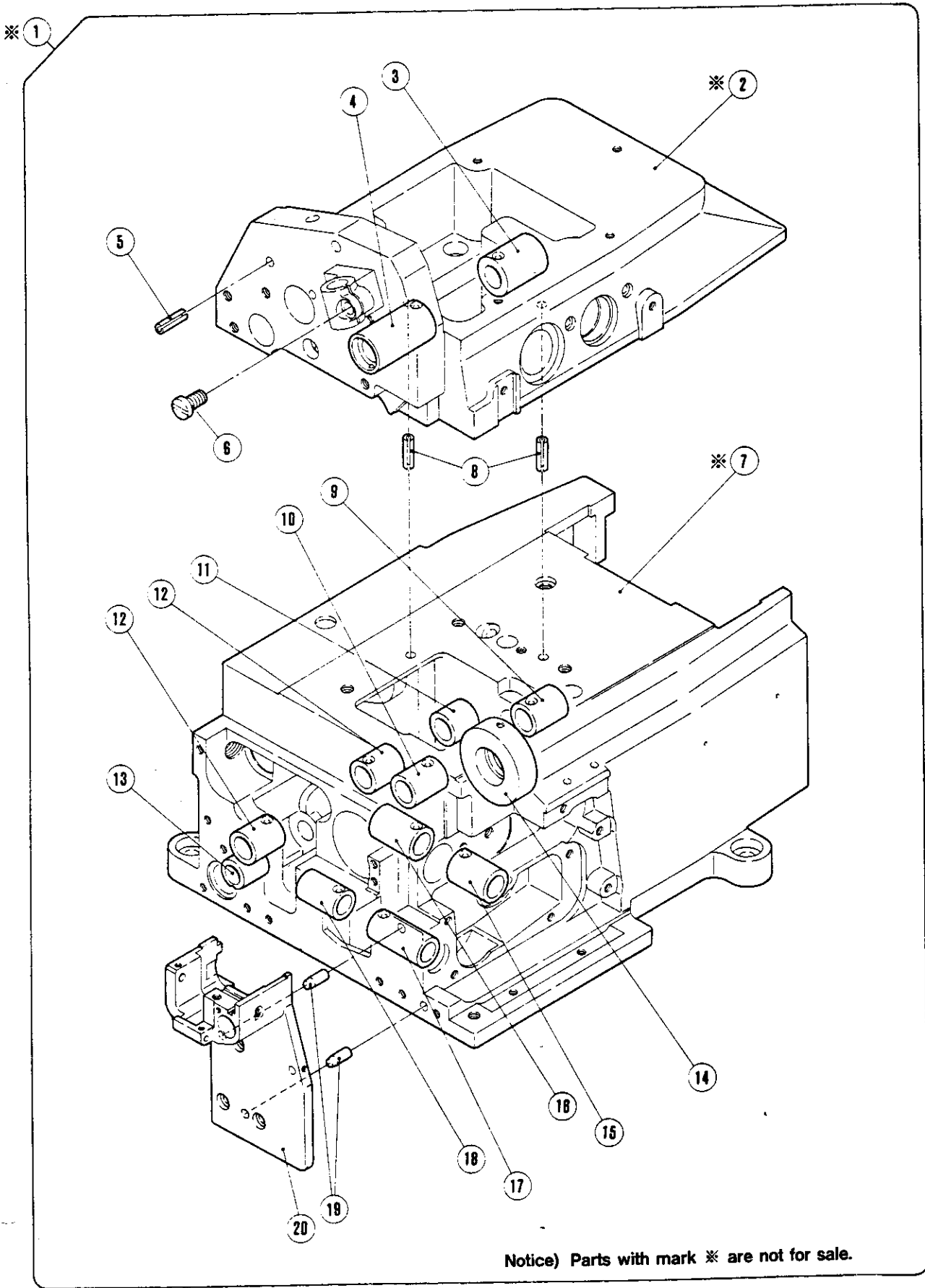
Veillez commander les pièces de rechange uniquement avec leur référence complète précisée à l'index (pages 47 à 50).

**Atencion!**

Sírvanse hacer sus pedidos sólo con los **NUMEROS-PFAFF** indicados en el índice ( véanse las páginas 47 à 50 ).

<b>TABLE OF CONTENTS</b>		PAGE
*****		
MACHINE BED FRAME (1), (2)	-----	2- 5
COVER	-----	6- 7
CRANKSHAFT DRIVE MECHANISM (1), (2)	-----	8-11
NEEDLE DRIVE MECHANISM (1), (2)	-----	12-15
UPPER LOOPER DRIVE MECHANISM (1), (2)	-----	16-19
*****		
LOWER LOOPER DRIVE MECHANISM	-----	20-21
FEED MECHANISM (1), (2)	-----	22-25
KNIFE DRIVE MECHANISM	-----	26-27
PRESSER FOOT MECHANISM	-----	28-29
LUBRICATING MECHANISM	-----	30-31
*****		
H.R. DEVICE, BLINDHEMMING	-----	32-33
SPECIFIC PARTS	-----	34-35
SEMI-SUBMERGED INSTALLATION, ACCESSORIES	-----	36-37
THREAD STAND	-----	38-39

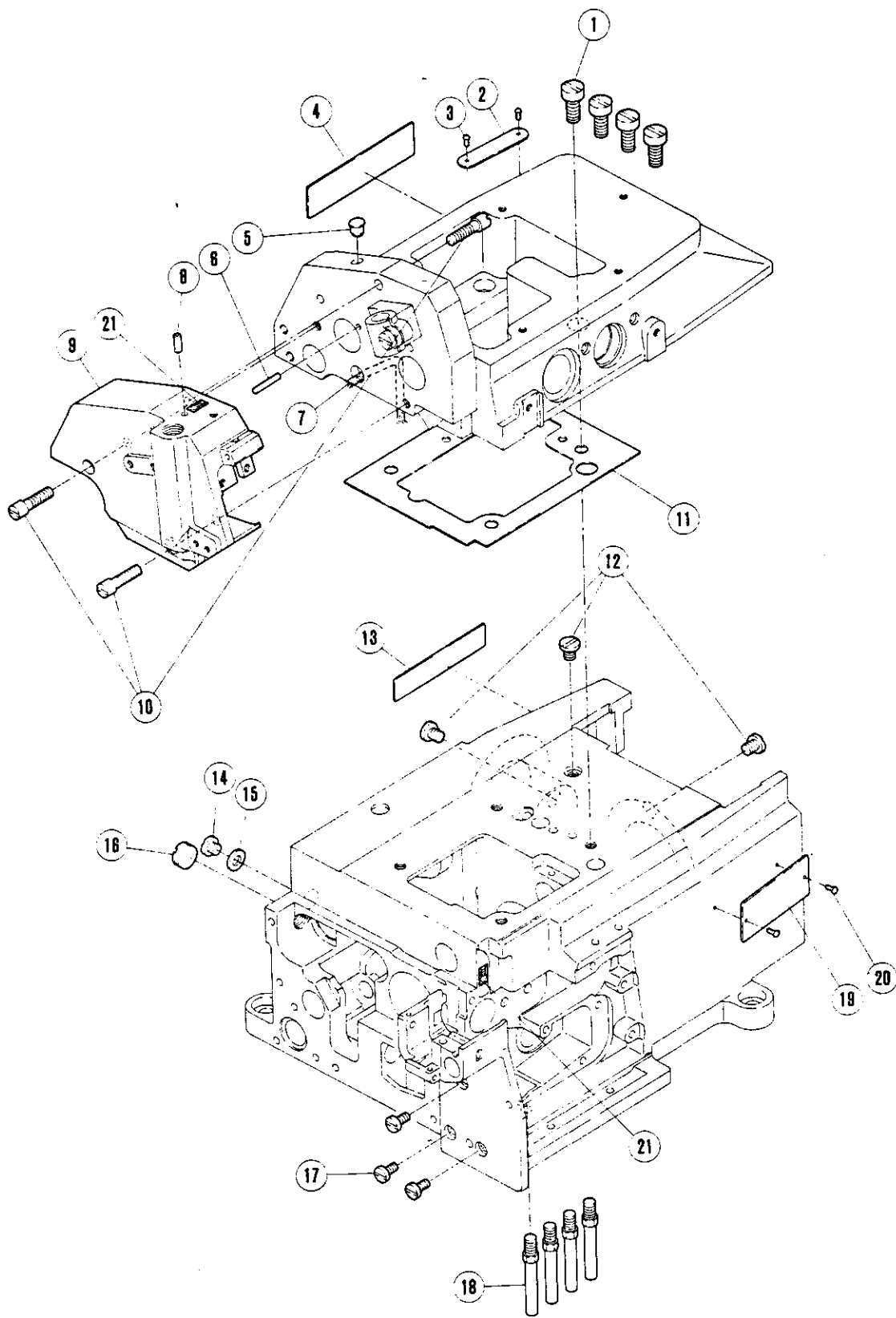
<b>GAUGE PARTS CONSTRUCTION CHARTS. GAUGE PARTS LISTS</b>		
*****		
GAUGE PARTS CONSTRUCTION CHART	-----	40-45
GAUGE PARTS LIST	-----	46
PART NUMBER INDEX	-----	47-50



# MACHINE BED FRAME(1)

REF. NO.	PART NO.	NAME	QT.
1	<b>213000-CD</b>	MACHINE BED COMPLETE	1
2	<b>213006-CD</b>	MACHINE ARM	1
3	<b>210233</b>	BUSHING	1
4	<b>210234</b>	BUSHING	1
5	<b>201002</b>	PIN	1
6	<b>5357</b>	SCREW	1
7	<b>213001-CD</b>	MACHINE BED	1
8	<b>201002</b>	PIN	2
9	<b>210067</b>	BUSHING	1
10	<b>210068</b>	BUSHING	1
11	<b>210143</b>	BUSHING	1
12	<b>213003</b>	BUSHING	2
13	<b>213004</b>	BUSHING	1
14	<b>213002</b>	BUSHING	1
15	<b>210101</b>	BUSHING	1
16	<b>210102</b>	BUSHING	1
17	<b>204089</b>	BUSHING	1
18	<b>210125</b>	BUSHING	1
19	<b>240094</b>	PIN	2
20	<b>213005-CD</b>	BRACKET	1

MEMO

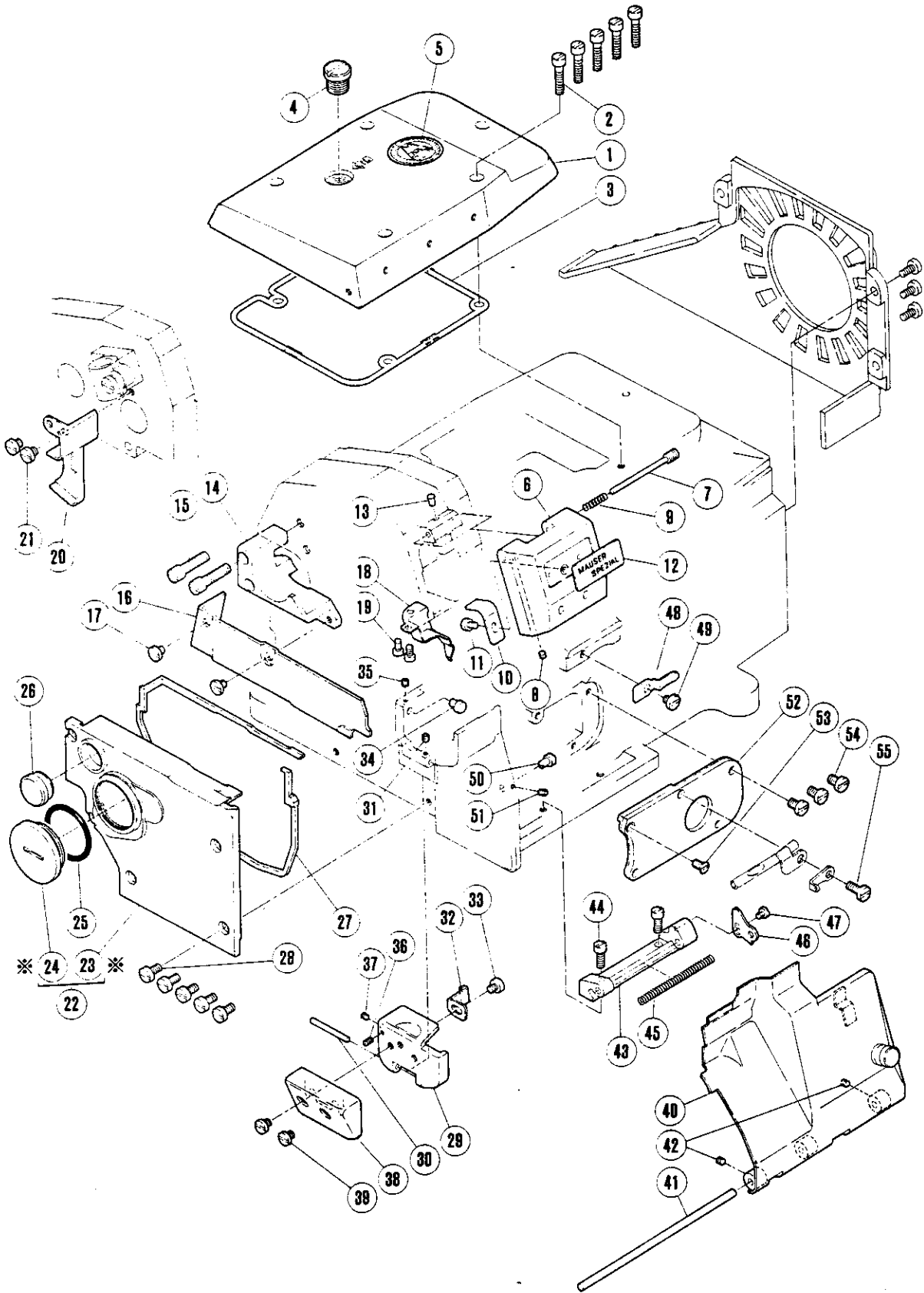




# MACHINE BED FRAME(2)

MEMO

REF. NO.	PART NO.	NAME	QT.
1	<b>5078</b>	SCREW	4
2	<b>230047</b>	NAME PLATE	1
3	<b>210679</b>	PIN	2
4	<b>210527</b>	NAME PLATE	1
5	<b>240052</b>	PLUG	1
6	<b>206665</b>	PIN	1
7	<b>202175</b>	OIL WICK	1
8	<b>210528</b>	OIL PIPE	1
9	<b>213008-CD</b>	MACHINE ARM	1
10	<b>5163</b>	SCREW	3
11	<b>210002</b>	GASKET	1
12	<b>5332A</b>	SCREW	3
13	<b>202526</b>	NAME PLATE	1
14	<b>5434</b>	SCREW	1
15	<b>200138</b>	WASHER	1
16	<b>5556</b>	SCREW	1
17	<b>5117</b>	SCREW	3
18	<b>204006</b>	BED PIN	4
19	<b>212281</b>	TYPE PLATE	1
20	<b>210679</b>	PIN	2
21	<b>8421</b>	OIL MARK	1



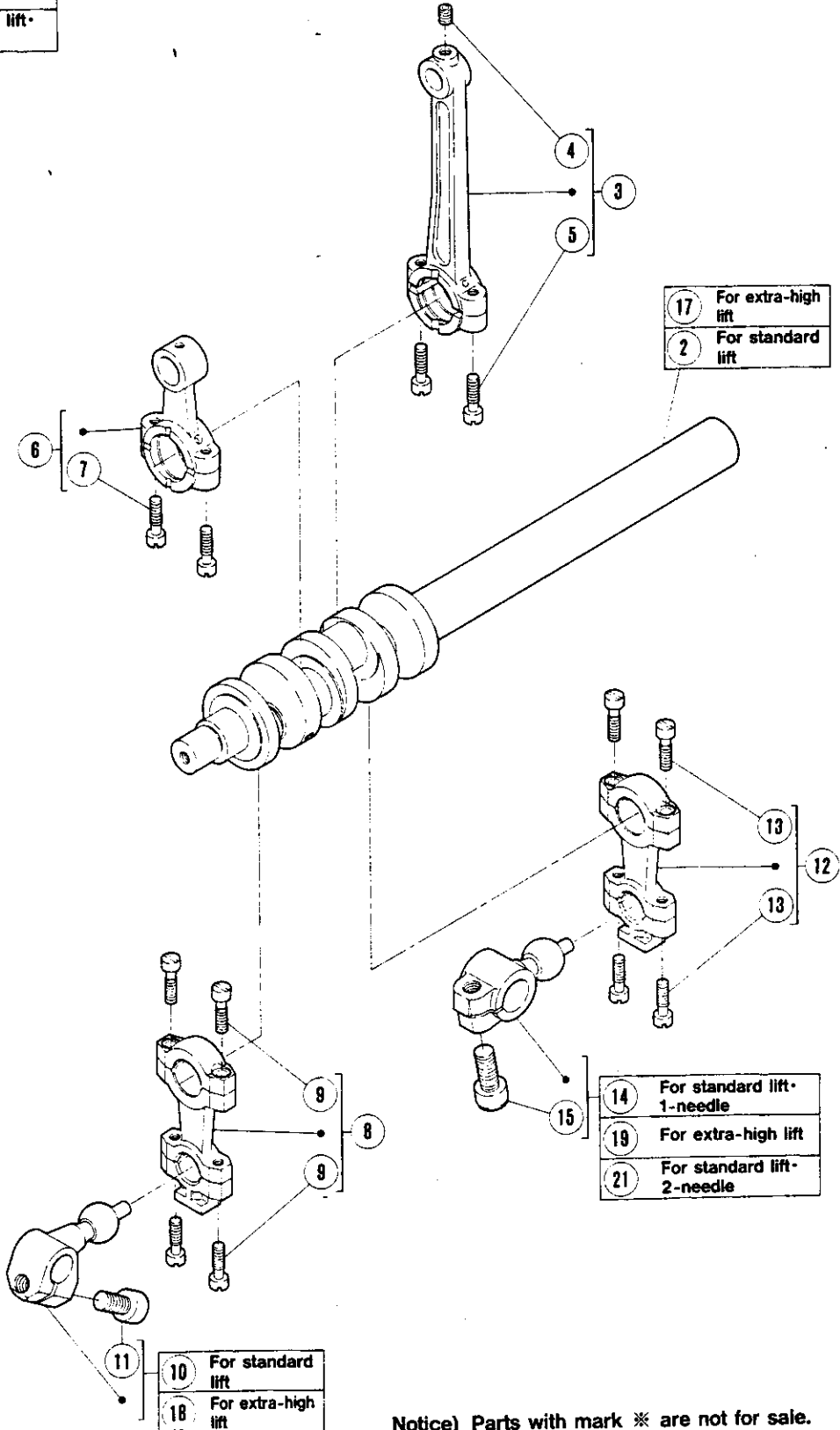
Notice) Parts with mark \* are not for sale.

# COVERS

MEMO

REF. NO.	PART NO.	NAME	QT.
1	<b>211799-CD</b>	TOP COVER	1
2	<b>5095</b>	SCREW	5
3	<b>210035</b>	O RING	1
4	<b>5198</b>	SCREW	1
5	<b>211313</b>	NAME PLATE	1
6	<b>211959-BD</b>	NEEDLE THREAD COVER	1
7	<b>5589</b>	PIN-SCREW	1
8	<b>5292</b>	SCREW	1
9	<b>211958</b>	SPRING	1
10	<b>210223</b>	SPRING	1
11	<b>1218</b>	SCREW	1
12	<b>205724</b>	NAME PLATE	1
13	<b>198192</b>	CUSHION RUBBER	1
14	<b>212006</b>	BRACKET	1
15	<b>5163</b>	SCREW	2
16	<b>213075</b>	FABRIC GUARD	1
17	<b>2905</b>	SCREW	2
18	<b>213076</b>	COVER	1
19	<b>1234</b>	SCREW	2
20	<b>213077-91</b>	COVER	1
21	<b>2905</b>	SCREW	2
22	<b>213261-CD</b>	SIDE COVER COMPLETE	1
23	<b>213066</b>	SIDE COVER	1
24	<b>213069</b>	CAP	1
25	<b>240174</b>	O RING	1
26	<b>240162</b>	PLUG	1
27	<b>213067</b>	GASKET	1
28	<b>5117</b>	SCREW	5
29	<b>213062</b>	CAP	1
30	<b>306920</b>	PIN	1
31	<b>5292</b>	SCREW	1
32	<b>213063</b>	HOOK SPRING	1
33	<b>5156</b>	SCREW	1
34	<b>213273</b>	LATCH	1
35	<b>5292</b>	SCREW	1
36	<b>5427</b>	SCREW	1
37	<b>5292</b>	SCREW	1
38	<b>213094-91</b>	COVER	1
39	<b>2905</b>	SCREW	2
40	<b>213070-91</b>	FRONT COVER	1
41	<b>240043</b>	PIN	1
42	<b>5292</b>	SCREW	2
43	<b>213262</b>	HINGE	1
44	<b>5002</b>	SCREW	2
45	<b>240044</b>	SPRING	1
46	<b>213263</b>	SPACER	1
47	<b>2921</b>	SCREW	1
48	<b>210044</b>	HOOK SPRING	1
49	<b>2905</b>	SCREW	1
50	<b>213064</b>	LATCH	1
51	<b>5292</b>	SCREW	1
52	<b>213026-91</b>	COVER	1
53	<b>5170</b>	SCREW	1
54	<b>4009-1</b>	SCREW	3
55	<b>5345</b>	SCREW	1

- ※ 1 For standard lift-1-needle
- ※ 16 For extra-high lift
- ※ 20 For standard lift-2-needle



- 17 For extra-high lift
- 2 For standard lift

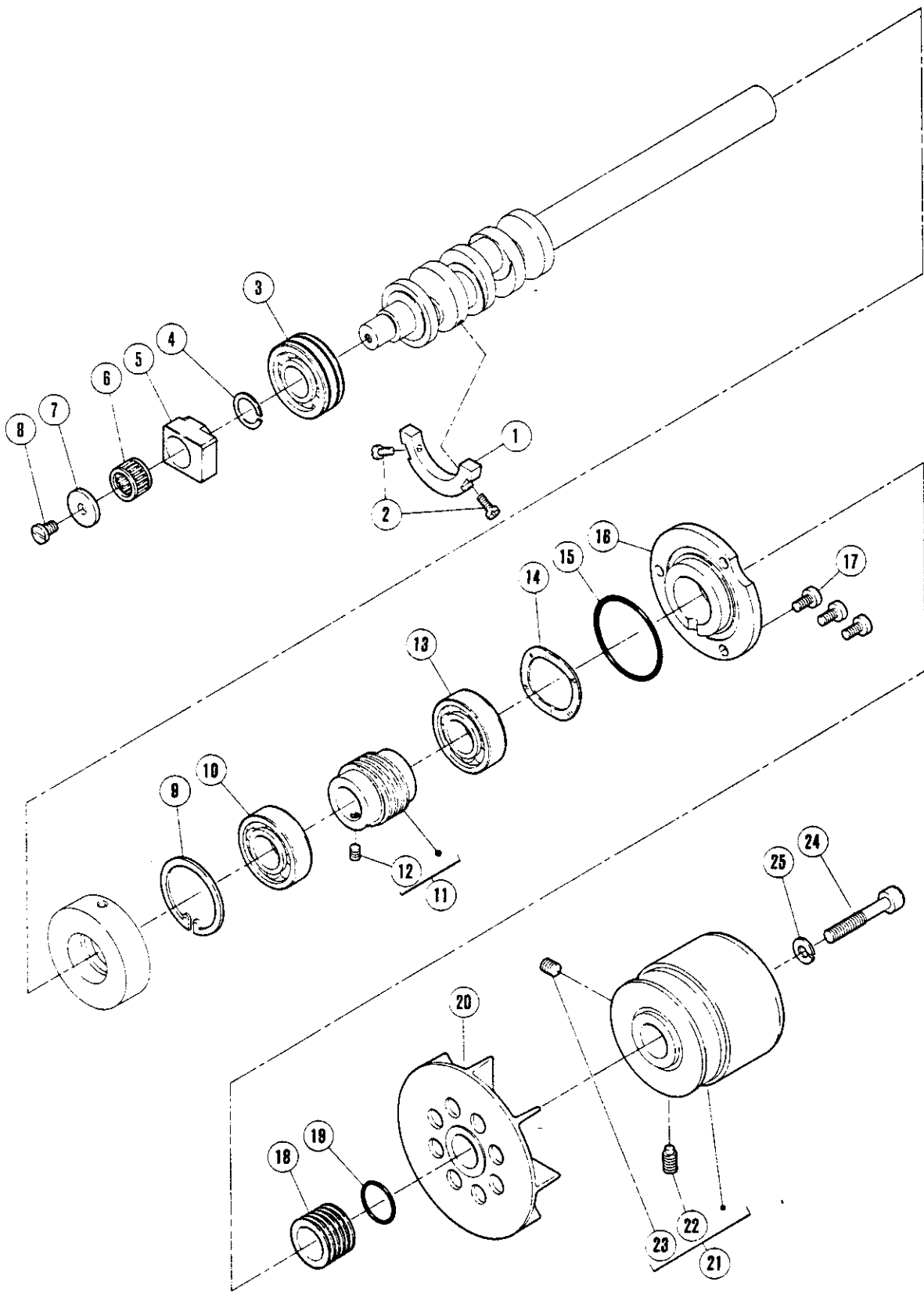
- 14 For standard lift-1-needle
- 19 For extra-high lift
- 21 For standard lift-2-needle

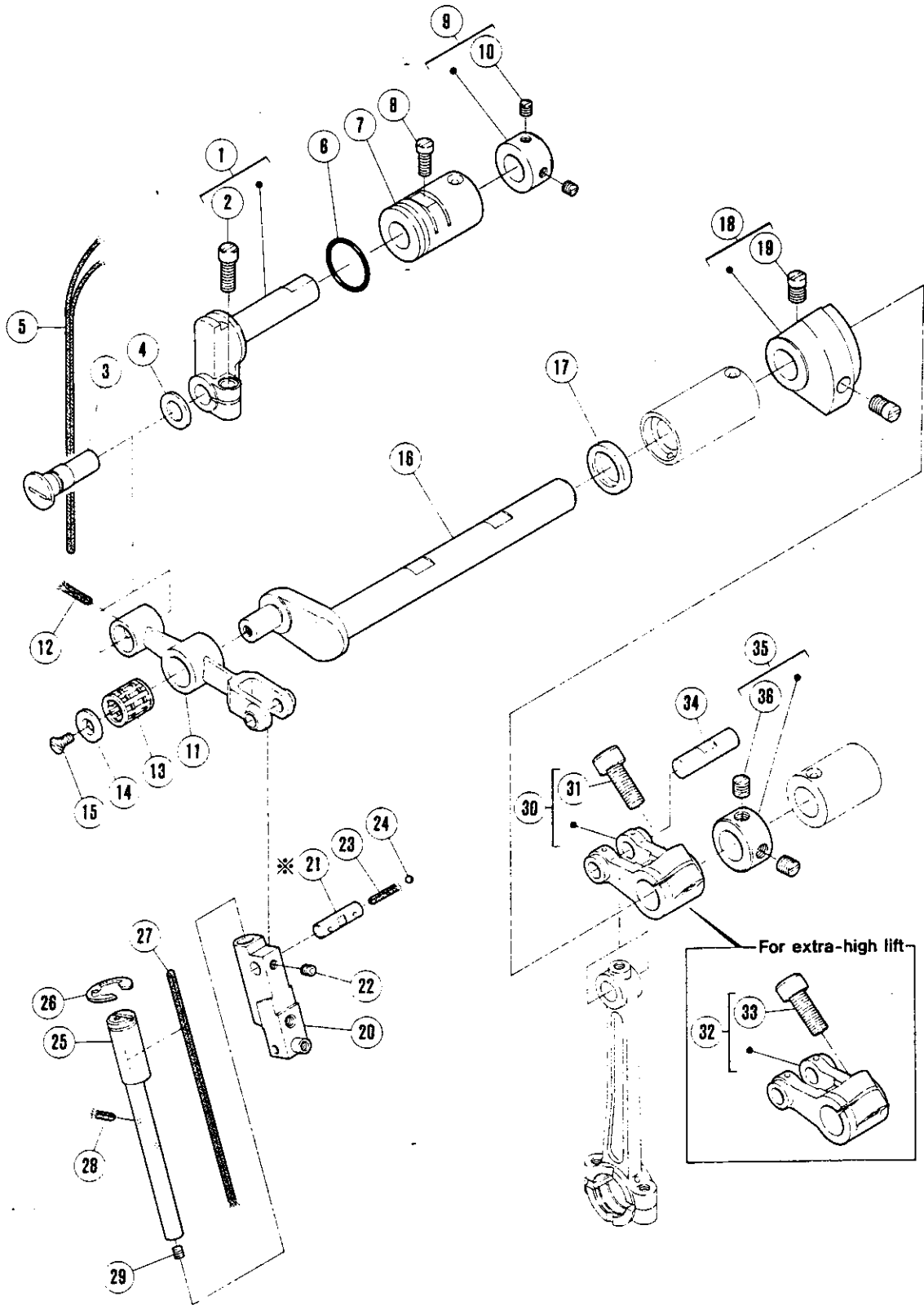
- 10 For standard lift
- 18 For extra-high lift

# CRANKSHAFT DRIVE MECHANISM(1)

MEMO

REF. NO.	PART NO.	NAME	QT.
1	<b>213274-91Y</b>	CLANK SHAFT COMPLETE	1
2	<b>213010-91</b>	CRANKSHAFT	1
3	<b>213012-92</b>	CONNECTION	1
4	<b>5461</b>	SCREW	1
5	<b>5376</b>	SCREW	2
6	<b>210173</b>	CONNECTION/UPPER KNIFE DRIVE	1
7	<b>5376</b>	SCREW	2
8	<b>210091</b>	CONNECTION/LOWER LOOPER DRIVE	1
9	<b>5376</b>	SCREW	4
10	<b>213013-92</b>	CRANK	1
11	<b>5457</b>	SCREW	1
12	<b>210091</b>	CONNECTION/LOWER LOOPER DRIVE	1
13	<b>5376</b>	SCREW	4
14	<b>210733</b>	CRANK/UPPER LOOPER/STD LIFT	1
15	<b>5457</b>	SCREW	1
16	<b>213274A91Y</b>	CRANKSHAFT COMPLETE	1
17	<b>213010A91</b>	CRANKSHAFT	1
3	<b>213012-92</b>	CONNECTION	1
4	<b>5461</b>	SCREW	1
5	<b>5376</b>	SCREW	2
6	<b>210173</b>	CONNECTION/UPPER KNIFE DRIVE	1
7	<b>5376</b>	SCREW	2
8	<b>210091</b>	CONNECTION/LOWER LOOPER DRIVE	1
9	<b>5376</b>	SCREW	4
18	<b>213013A92</b>	CRANK	1
11	<b>5457</b>	SCREW	1
12	<b>210091</b>	CONNECTION/LOWER LOOPER DRIVE	1
13	<b>5376</b>	SCREW	4
19	<b>210731</b>	CRANK/UPPER LOOPER	1
15	<b>5457</b>	SCREW	1
20	<b>213274B91Y</b>	CRANKSHAFT COMPLETE	1
2	<b>213010-91</b>	CRANKSHAFT	1
3	<b>213012-92</b>	CONNECTION	1
4	<b>5461</b>	SCREW	1
5	<b>5376</b>	SCREW	2
6	<b>210173</b>	CONNECTION/UPPER KNIFE DRIVE	1
7	<b>5376</b>	SCREW	2
8	<b>210091</b>	CONNECTION/LOWER LOOPER DRIVE	1
9	<b>5376</b>	SCREW	4
10	<b>213013-92</b>	CRANK	1
11	<b>5457</b>	SCREW	1
12	<b>210091</b>	CONNECTION/LOWER LOOPER DRIVE	1
13	<b>5376</b>	SCREW	4
21	<b>210732</b>	CRANK/UPPER LOOPER	1
15	<b>5457</b>	SCREW	1





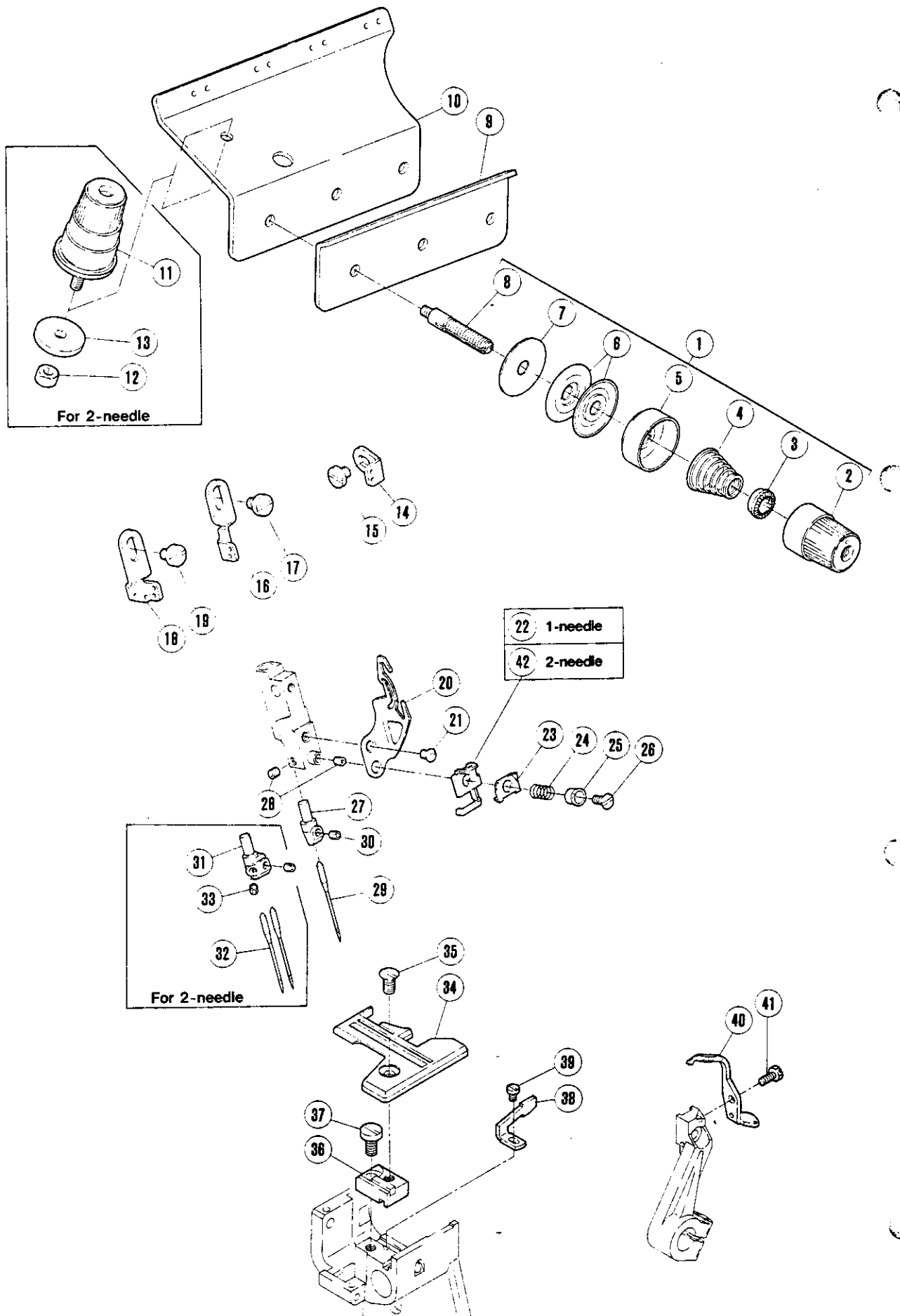
Notice) Parts with mark \* are not for sale.

# NEEDLE DRIVE MECHANISM(1)

MEMO

REF. NO.	PART NO.	NAME	QT.
1	<b>210239</b>	HOLDER	1
2	<b>5485</b>	SCREW	1
3	<b>210240</b>	PIN	1
4	<b>210241</b>	WASHER	1
5	<b>212186</b>	OIL WICK	1
6	<b>210057</b>	O RING	1
7	<b>210242</b>	BUSHING	1
8	<b>5325</b>	SCREW	1
9	<b>201056</b>	COLLAR	1
10	<b>1457</b>	SCREW	2
11	<b>210235</b>	LEVER/NEEDLE DRIVE	1
12	<b>202175</b>	OIL WICK	1
13	<b>210238-2</b>	NEEDLE BEARING	1
14	<b>210236</b>	WASHER	1
15	<b>5022</b>	SCREW	1
16	<b>210232</b>	SHAFT/NEEDLE DRIVE	1
17	<b>210069</b>	OIL SEAL	1
18	<b>210511</b>	BALANCE WEIGHT	1
19	<b>5059</b>	SCREW	2
20	<b>213015</b>	NEEDLE HOLDER GUIDE	1
21	<b>210237A</b>	PIN	1
22	<b>5292</b>	SCREW	1
23	<b>202174</b>	OIL WICK	1
24	<b>240148</b>	PLUG	1
25	<b>210244</b>	STUD	1
26	<b>202577</b>	STOP RING	1
27	<b>202175</b>	OIL WICK	1
28	<b>202174</b>	OIL WICK	1
29	<b>5292</b>	SCREW	1
30	<b>210230</b>	CRANK/NEEDLE DRIVE/STD LIFT	1
31	<b>5457</b>	SCREW	1
32	<b>210231</b>	CRANK/NEEDLE DRIVE	1
33	<b>5457</b>	SCREW	1
34	<b>204146</b>	PIN	1
35	<b>201635</b>	COLLAR	1
36	<b>5060</b>	SCREW	2





# NEEDLE DRIVE MECHANISM(2)

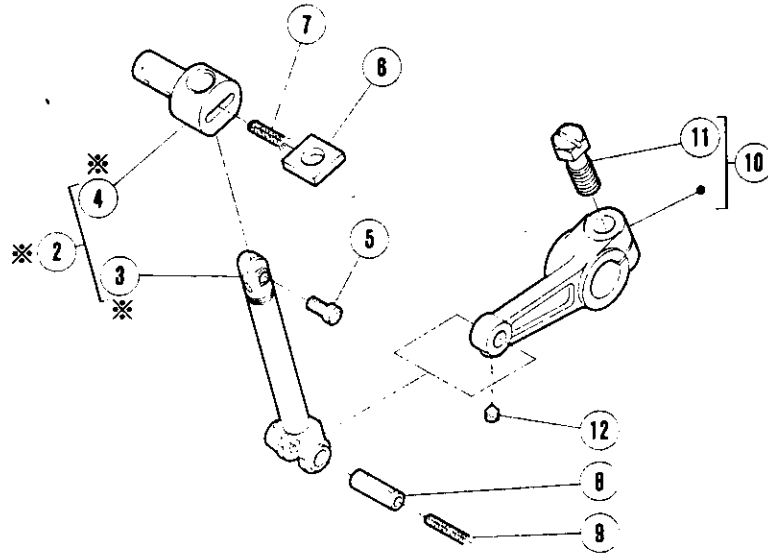
MEMO

REF. NO.	PART NO.	NAME	QT.
1	<b>210529-BA</b>	THREAD TENTION COMPLETE	1
2	<b>208447-BA</b>	POST NUT	1
3	<b>208448</b>	SPRING BUSHING	1
4	<b>201037</b>	TENSION SPRING (HEAVY)	1
5	<b>208450-BA</b>	CAP	1
6	<b>210319</b>	DISC	2
7	<b>208449</b>	FELT	1
8	<b>5082A</b>	SCREW STUD	1
9	<b>211800</b>	TENTION GUIDE	1
10	<b>211801</b>	'THREAD TENTION COMPLETE'	1
11	<b>210529-BA</b>	THREAD TENTION COMPLETE	1
12	<b>5137</b>	NUT	1
13	<b>201880</b>	WASHER	1
14	<b>210089</b>	NEEDLE THREAD GUIDE RIGHT	1
15	<b>2905</b>	SCREW	1
16	<b>213251</b>	NEEDLE THREAD GUIDE RIGHT	1
17	<b>5535</b>	SCREW	1
18	<b>213252</b>	NEEDLE THREAD GUIDE LEFT	1
19	<b>5535</b>	SCREW	1
20	<b>213250</b>	NEEDLE THREAD TAKEUP	1
21	<b>5446</b>	SCREW	1
22	<b>212503</b>	BRACKET	1
23	<b>212504</b>	NEEDLE THREAD RETAINER	1
24	<b>210751</b>	SPRING	1
25	<b>210750</b>	GUIDE	1
26	<b>5022</b>	SCREW	2
27	<b>XXXXXX</b>	NEEDLE HOLDER	1
28	<b>5292</b>	SCREW	1
29	<b>XXXXXX</b>	NEEDLE	1
30	<b>5292</b>	SCREW	1
31	<b>XXXXXX</b>	NEEDLE HOLDER	1
32	<b>XXXXXX</b>	NEEDLE	1
33	<b>5292</b>	SCREW	1
34	<b>XXXXXX</b>	NEEDLE PLATE	1
35	<b>5484-HC</b>	SCREW	1
36	<b>213060-91</b>	BRACKET	1
37	<b>5117</b>	SCREW	1
38	<b>XXXXXX</b>	NEEDLE GUARD (FRONT)	1
39	<b>1333</b>	SCREW	1
40	<b>XXXXXX</b>	NEEDLE GURD (REAR)	1
41	<b>5635</b>	SCREW	1
42	<b>213259</b>	BRACKET	1

See page 46 for × × × × ×.

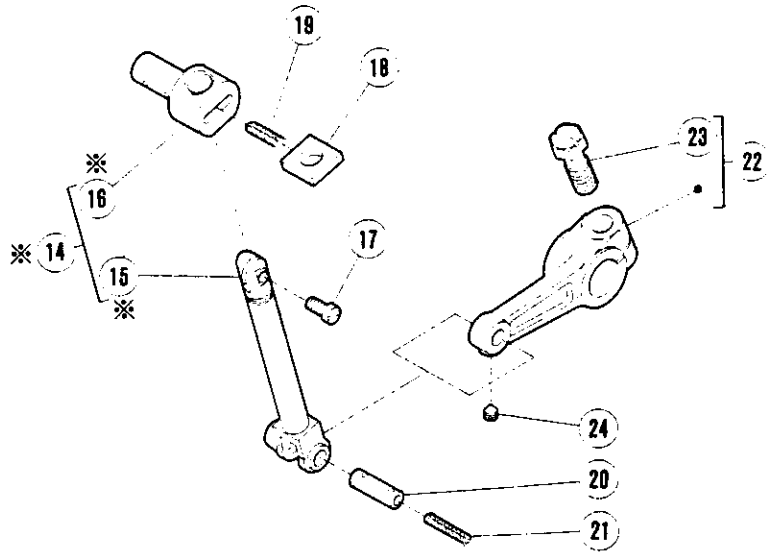
1

For standard lift



13

For extra-high lift

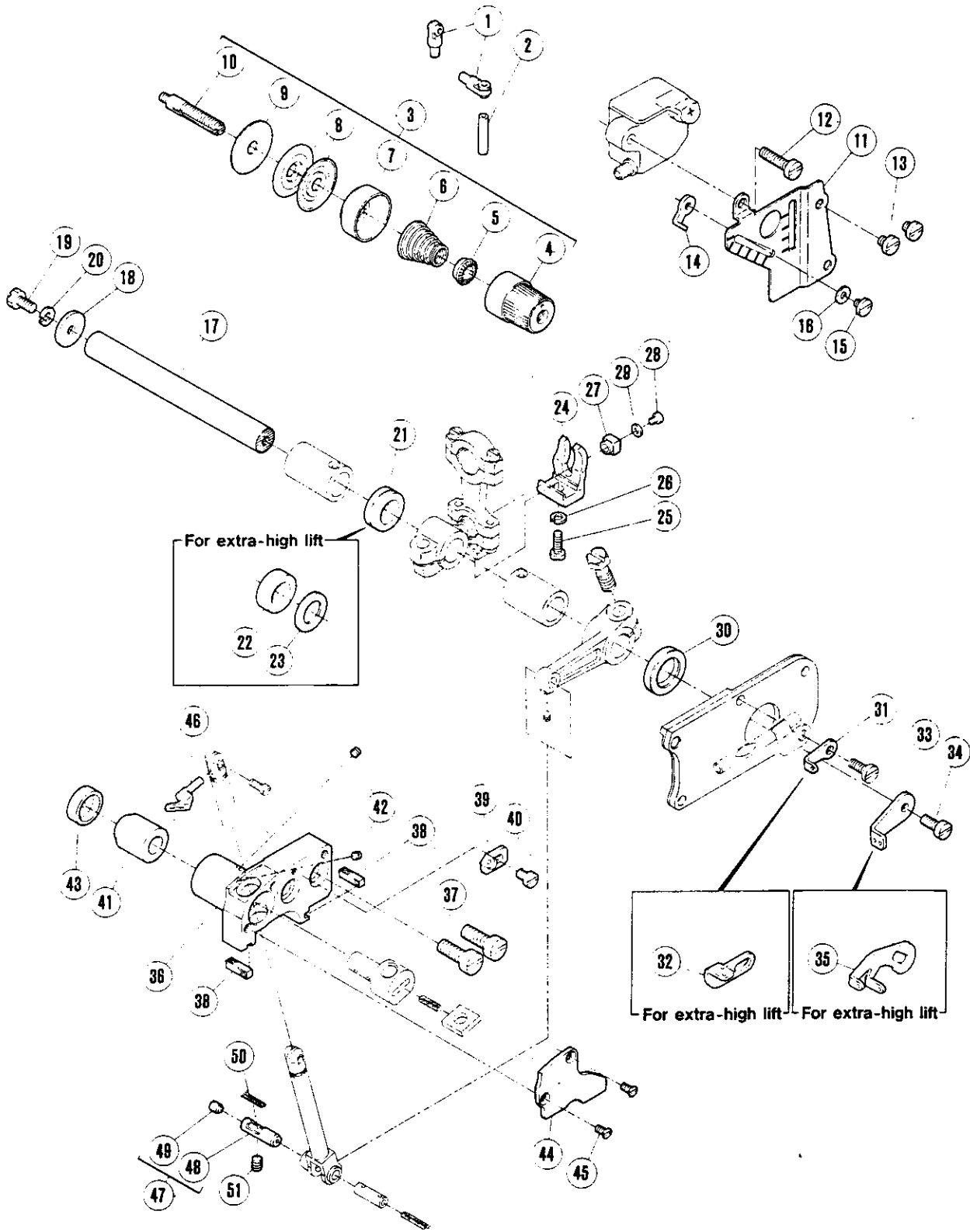


Notice) Parts with mark \* are not for sale.

# UPPER LOOPER DRIVE MECHANISM(1)

MEMO

REF. NO.	PART NO.	NAME	QT.
1	<b>213275-91Y</b>	UPPER LOOPER HOLDER ASSEMBLY	1
2	<b>213017-91</b>	UPPER LOOPER HOLDER ASSEMBLY	1
3	<b>213018-91</b>	UPPER LOOPER HOLDER	1
4	<b>213020</b>	GUIDE/UPPER LOOPER HOLDER	1
5	<b>7054</b>	SCREW	1
6	<b>179130-05</b>	OIL FELT	1
7	<b>202175</b>	OIL WICK	1
8	<b>213023</b>	PIN	1
9	<b>202176</b>	OIL WICK	1
10	<b>213022-92</b>	LEVER/UPPER LOOPER HOLDER	1
11	<b>5284</b>	SCREW	1
12	<b>5629</b>	SCREW	1
13	<b>213275A91Y</b>	UPPER LOOPER HOLDER ASSEMBLY	1
14	<b>213017-91</b>	UPPER LOOPER HOLDER ASSEMBLY	1
15	<b>213018-91</b>	UPPER LOOPER HOLDER	1
16	<b>213020</b>	GUIDE/UPPER LOOPER HOLDER	1
17	<b>7054</b>	SCREW	1
18	<b>179130-05</b>	OIL FELT	1
19	<b>202175</b>	OIL WICK	1
20	<b>213023</b>	PIN	1
21	<b>202176</b>	OIL WICK	1
22	<b>213022A92</b>	LEVER/UPPER LOOPER HOLDER	1
23	<b>5284</b>	SCREW	1
24	<b>5629</b>	SCREW	1

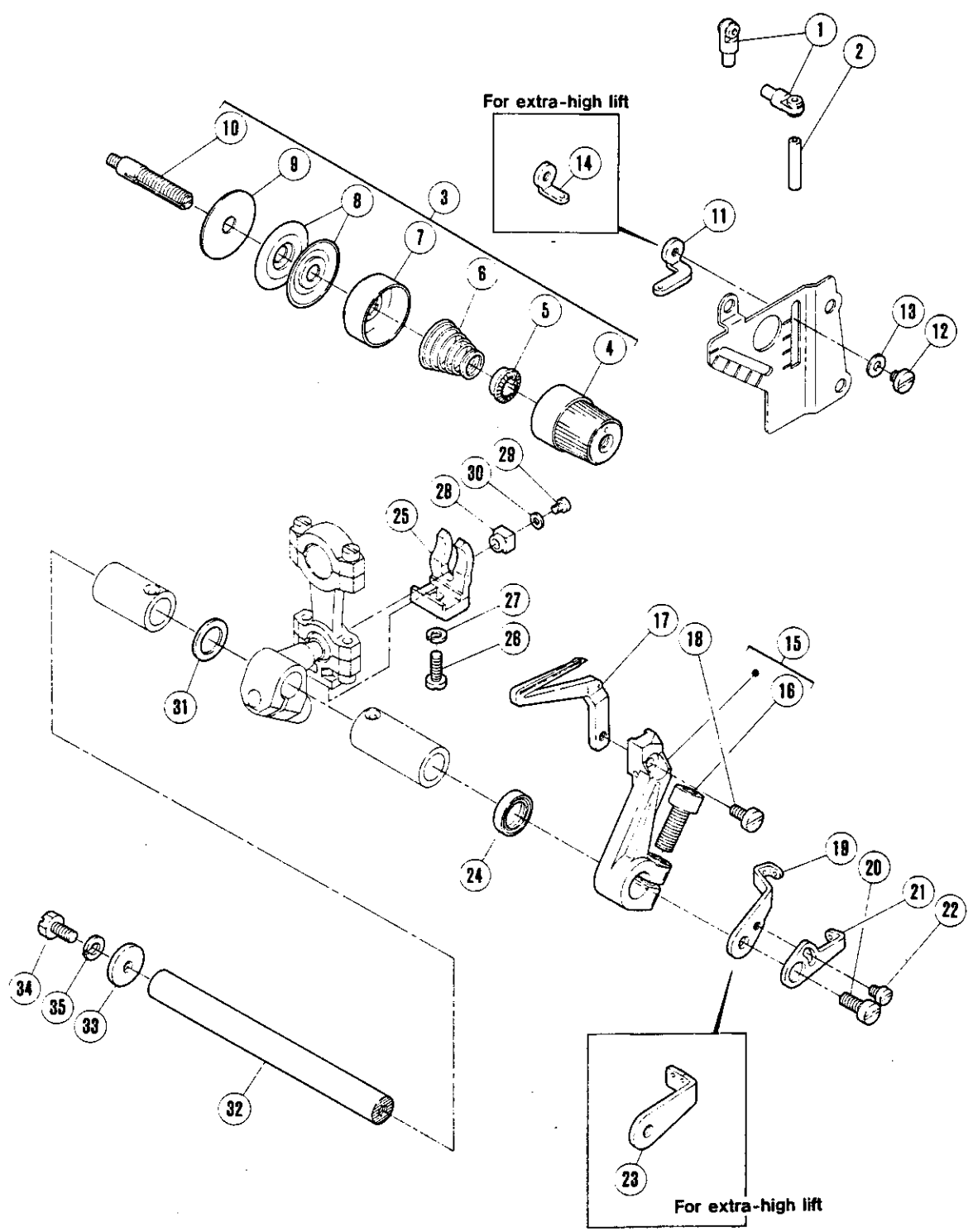


# UPPER LOOPER DRIVE MECHANISM(2)

MEMO

REF. NO.	PART NO.	NAME	QT.
1	<b>201439A</b>	EYELET	2
2	<b>204657</b>	THREAD TUBE	1
3	<b>210531-BA</b>	THREAD TENTION COMPLETE	1
4	<b>208447-BA</b>	POST NUT	1
5	<b>208448</b>	SPRING BUSHING	1
6	<b>201068</b>	TENSION SPRING (LIGHT)	1
7	<b>208450-BA</b>	CAP	1
8	<b>210319</b>	DISC	2
9	<b>208449</b>	FELT	1
10	<b>5082A</b>	SCREW STUD	1
11	<b>210349</b>	LOOPER THREAD GUIDE PLATE	1
12	<b>5152</b>	SCREW	1
13	<b>2905</b>	SCREW	2
14	<b>210350</b>	UPPER LOOPER THREAD GUIDE	1
15	<b>5519</b>	SCREW	1
16	<b>202875</b>	WASHER	1
17	<b>210099A</b>	SHAFT	1
18	<b>210100</b>	WASHER	1
19	<b>2193</b>	SCREW	1
20	<b>202286</b>	WASHER	1
21	<b>210098</b>	SPACER	1
22	<b>210267</b>	SPACER	1
23	<b>206180</b>	WASHER	1
24	<b>210092</b>	GUIDE/CONNECTION	1
25	<b>5546</b>	SCREW	1
26	<b>202286</b>	WASHER	1
27	<b>210093</b>	BLOCK/CONNECTION	1
28	<b>1231</b>	SCREW	1
29	<b>210585</b>	WASHER	1
30	<b>210103</b>	OIL SEAL	1
31	<b>213256</b>	THREAD GUIDE	1
32	<b>213258</b>	THREAD GUIDE	1
33	<b>210351</b>	UPPER LOOPER THREAD TAKEUP	1
34	<b>2902</b>	SCREW	1
35	<b>211659A</b>	THREAD TAKEUP	1
36	<b>213024</b>	BASE/UPPER LOOPER	1
37	<b>5282</b>	SCREW	2
38	<b>240168</b>	GASKET	2
39	<b>213255</b>	THREAD GUIDE	1
40	<b>1229</b>	SCREW	1
41	<b>213021</b>	BUSHING	1
42	<b>5292</b>	SCREW	1
43	<b>240167</b>	PLUG	1
44	<b>213025</b>	COVER	1
45	<b>5437</b>	SCREW	2
46	<b>XXXXXX</b>	UPPER LOOPER	1
47	<b>179066-02</b>	OIL RELEASE PLUG COMP.	1
48	<b>179066-05</b>	OIL RELEASE PLUG	1
49	<b>240038</b>	PLUG	1
50	<b>202175</b>	OIL WICK	1
51	<b>5461</b>	SCREW	1

See page 46 for ×××××.



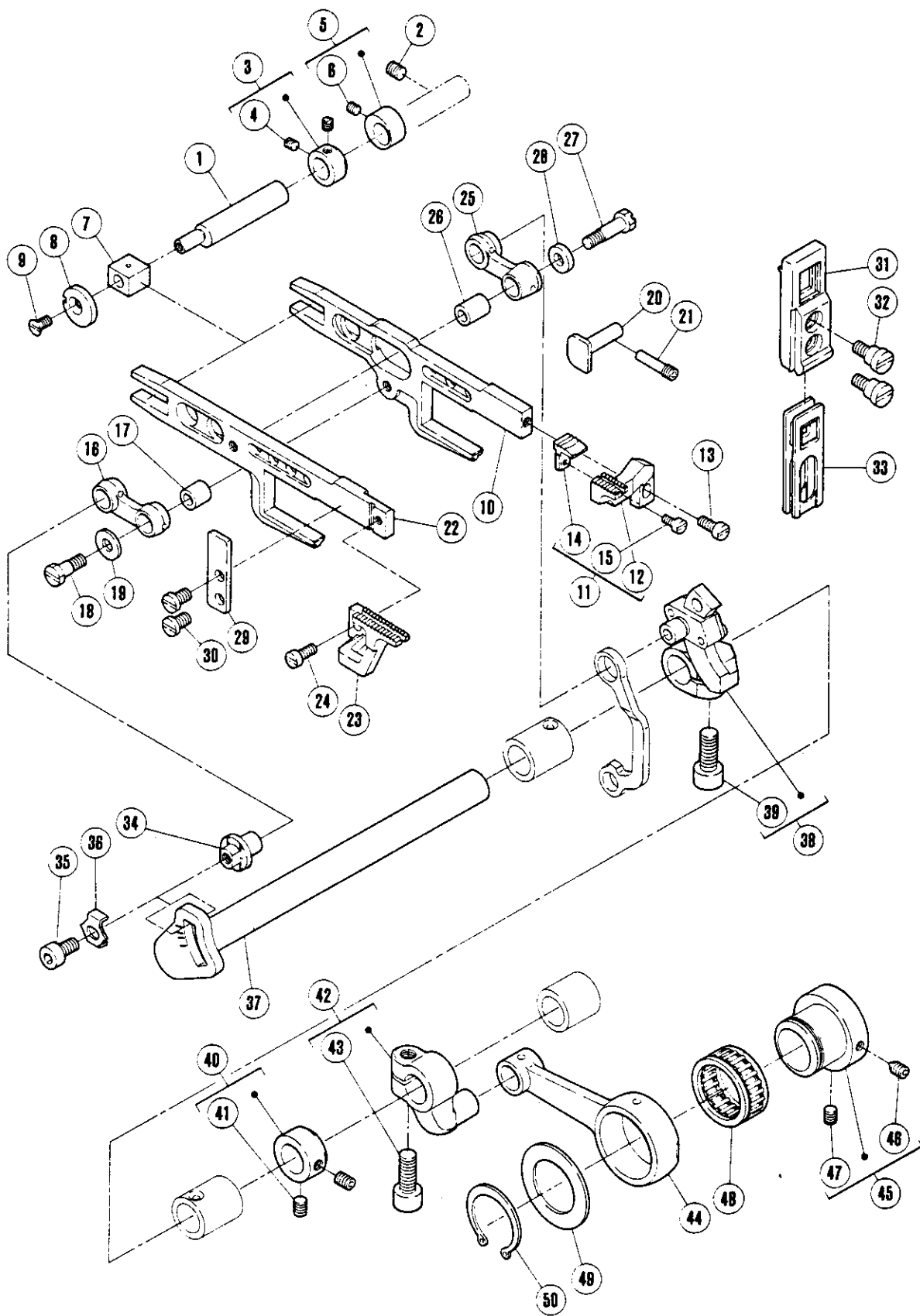
# LOWER LOOPER DRIVE MECHANISM

MEMO

REF. NO.	PART NO.	NAME	QT.
1	<b>201439A</b>	EYELET	2
2	<b>204657</b>	THREAD TUBE	1
3	<b>210530-BA</b>	THREAD TENSION COMPLETE	1
4	<b>208447-BA</b>	POST NUT	1
5	<b>208448</b>	SPRING BUSHING	1
6	<b>201086</b>	TENSION SPRING (MEDIUM)	1
7	<b>208450-BA</b>	CAP	1
8	<b>210319</b>	DISC	2
9	<b>208449</b>	FELT	1
10	<b>5082A</b>	SCREW STUD	1
11	<b>211391</b>	THREAD GUIDE RIGHT	1
12	<b>5519</b>	SCREW	1
13	<b>202875</b>	WASHER	1
14	<b>201089</b>	THREAD GUIDE (RIGHT)	1
15	<b>213029-92</b>	LOWER LOOPER LEVER	1
16	<b>5457</b>	SCREW	1
17	<b>XXXXXX</b>	LOWER LOOPER	1
18	<b>1202</b>	SCREW	1
19	<b>213254</b>	THREAD TAKEUP	1
20	<b>2902</b>	SCREW	1
21	<b>213253</b>	THREAD TAKEUP	1
22	<b>2921</b>	SCREW	1
23	<b>213257</b>	THREAD TAKEUP	1
24	<b>204052A</b>	OIL SEAL	1
25	<b>210092</b>	GUIDE/CONNECTION	1
26	<b>5546</b>	SCREW	1
27	<b>202286</b>	WASHER	1
28	<b>210093</b>	BLOCK/CONNECTION	1
29	<b>1231</b>	SCREW	1
30	<b>210585</b>	WASHER	1
31	<b>240102</b>	SPACER	1
32	<b>210123</b>	SHAFT/LOWER LOOPER LEVER	1
33	<b>204107</b>	WASHER	1
34	<b>2193</b>	SCREW	1
35	<b>202286</b>	WASHER	1

See page 46 for × × × × ×.



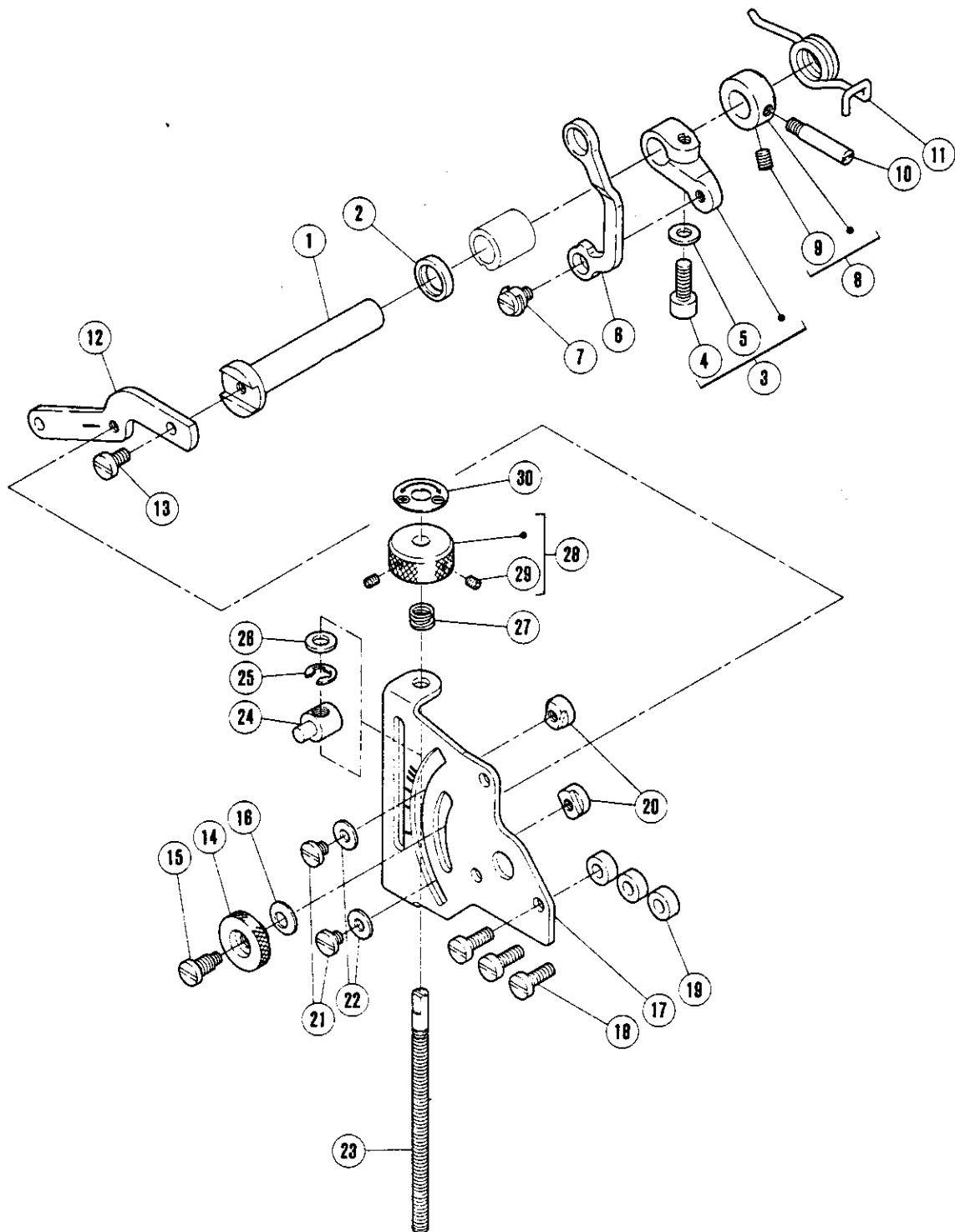


# FEED MECHANISM(1)

MEMO

REF. NO.	PART NO.	NAME	QT.
1	<b>179177-05</b>	FEED BAR PIN	1
2	<b>5234</b>	SCREW	1
3	<b>232508</b>	COLLAR	1
4	<b>1459</b>	SCREW	2
5	<b>240171-92</b>	COLLAR	1
6	<b>1459</b>	SCREW	1
7	<b>179178-05</b>	BLOCK	1
8	<b>204439A</b>	WASHER	1
9	<b>7041</b>	SCREW	1
10	<b>213033</b>	MAIN FEED BAR	1
11	<b>XXXXXX</b>	MAIN FEED DOG COMPLETE	1
12	<b>XXXXXX</b>	MAIN FEED DOG	1
13	<b>1175-2</b>	SCREW	1
14	<b>XXXXXX</b>	AUX. FEED DOG	1
15	<b>5492</b>	SCREW	1
16	<b>213036</b>	LINK	1
17	<b>210148</b>	BUSHING	1
18	<b>5489</b>	SCREW	1
19	<b>204115</b>	WASHER	1
20	<b>213043</b>	FEED GUIDE BAR (RIGHT)	1
21	<b>5632</b>	SCREW	1
22	<b>213034</b>	DIFF. FEED BAR	1
23	<b>XXXXXX</b>	DIFF.FEED DOG	1
24	<b>1175-2</b>	SCREW	1
25	<b>213042</b>	LINK	1
26	<b>204114</b>	BUSHING	1
27	<b>5231</b>	SCREW	1
28	<b>208245</b>	WASHER	1
29	<b>213044</b>	FEED GUIDE BAR (LEFT)	1
30	<b>5506</b>	SCREW	2
31	<b>213046</b>	GUIDE/FEED BAR OILSEAL	1
32	<b>5633</b>	SCREW	2
33	<b>213045</b>	FEED BAR OILSEAL	2
34	<b>213037</b>	PIN	1
35	<b>5531</b>	SCREW	1
36	<b>213038</b>	INDICATOR	1
37	<b>213035</b>	SHAFT/FEED DRIVE	1
38	<b>213039-92</b>	CRANK	1
39	<b>5457</b>	SCREW	1
40	<b>231506</b>	COLLAR	1
41	<b>5461</b>	SCREW	2
42	<b>213032-92</b>	CRANK	1
43	<b>5457</b>	SCREW	1
44	<b>210140</b>	CONNECTION/FEED DRIVE	1
45	<b>213031-92</b>	FEED ECCENTRIC	1
46	<b>5630</b>		1
47	<b>5461</b>	SCREW	1
48	<b>204084-2</b>	NEEDLE BEARING	1
49	<b>240169</b>	WASHER	1
50	<b>240170</b>	RING	1

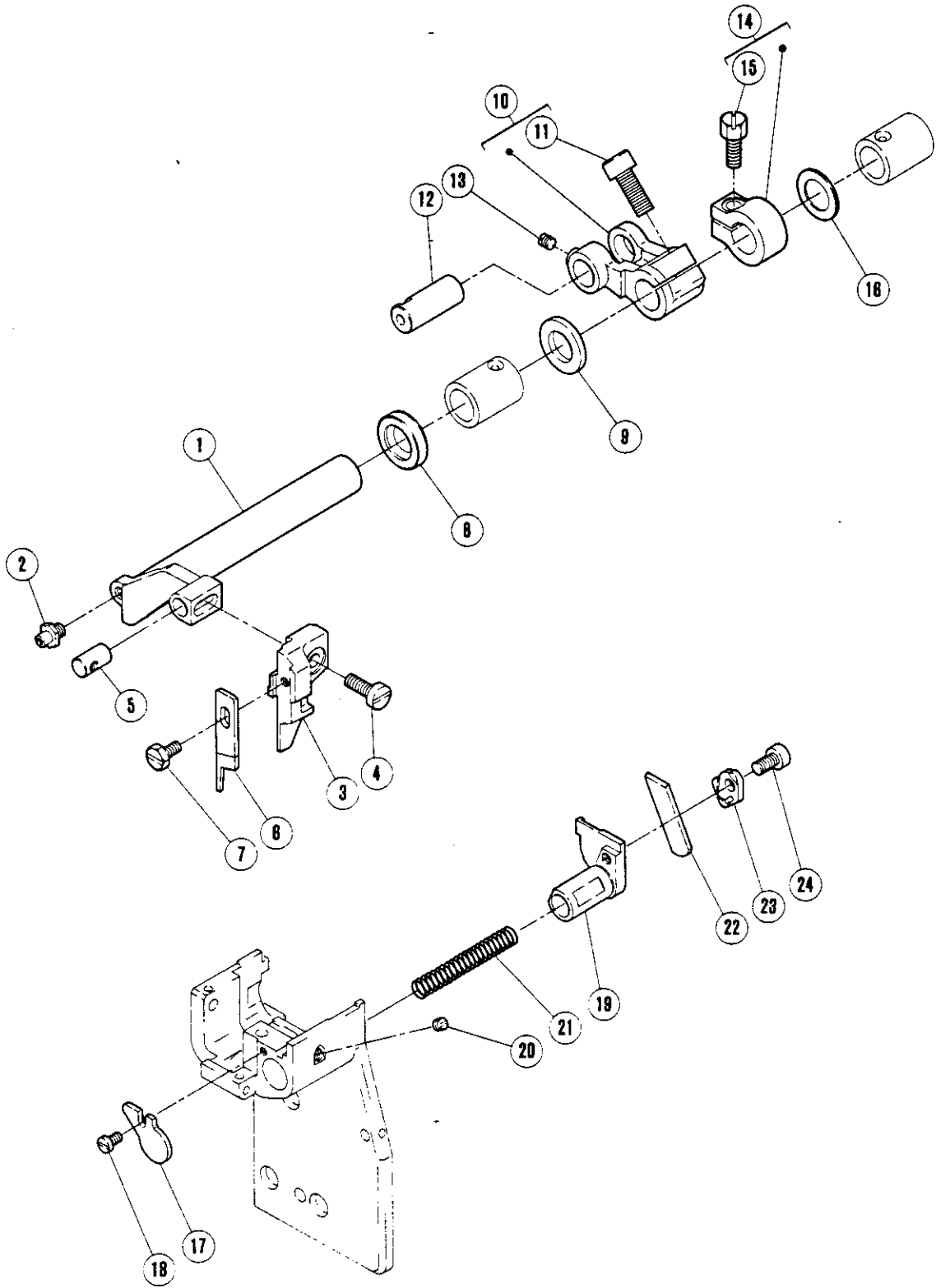
See page 46 for × × × × ×.



# FEED MECHANISM(2)

MEMO

REF. NO.	PART NO.	NAME	QT.
1	<b>213047</b>	SHAFT	1
2	<b>204052A</b>	OIL SEAL	1
3	<b>213048-92</b>	LEVER	1
4	<b>5594</b>	SCREW	1
5	<b>307003</b>	WASHER	1
6	<b>211190</b>	LINK	1
7	<b>5316</b>	SCREW	1
8	<b>204754A</b>	COLLAR	1
9	<b>5461</b>	SCREW	1
10	<b>204757</b>	SCREW	1
11	<b>213050</b>	SPRING	1
12	<b>213049</b>	LEVER	1
13	<b>5117</b>	SCREW	1
14	<b>210167</b>	THUMB NUT	1
15	<b>5486</b>	SCREW	1
16	<b>211301</b>	SPRING WASHER	1
17	<b>213051</b>	DIFF. FEED REG. GUIDE	1
18	<b>5118</b>	SCREW	3
19	<b>301762</b>	SPACER	3
20	<b>210171</b>	STOPPER	2
21	<b>2905</b>	SCREW	2
22	<b>201185</b>	WASHER	2
23	<b>213052</b>	DIFF. FEED REG. BAR	1
24	<b>213053</b>	BLOCK	1
25	<b>201629</b>	RING	1
26	<b>207924</b>	WASHER	1
27	<b>210533</b>	SPRING	1
28	<b>210532</b>	THUMB NUT	1
29	<b>5292</b>	SCREW	2
30	<b>212179</b>	MARK	1

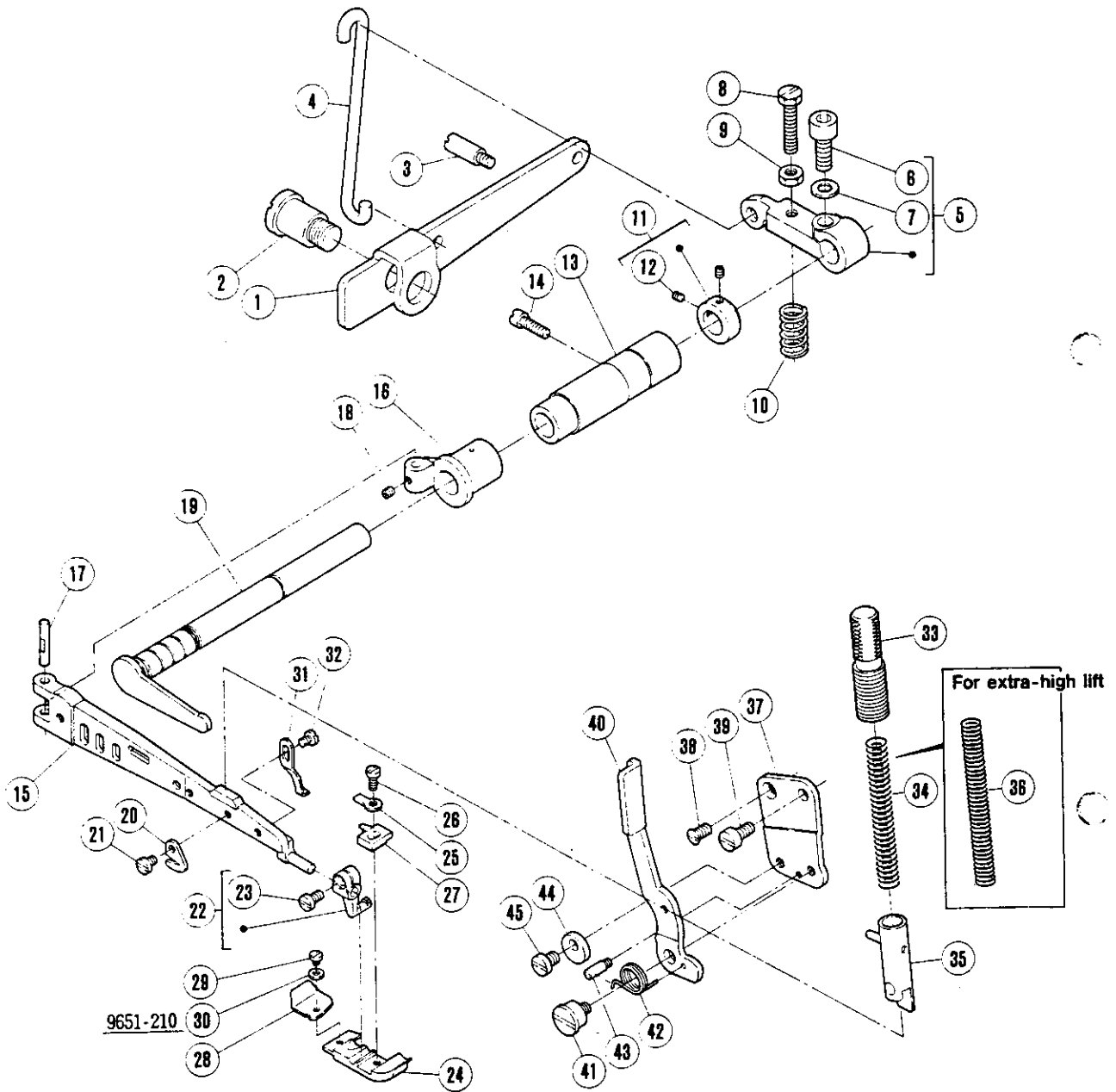


# KNIFE DRIVE MECHANISM

MEMO

REF. NO.	PART NO.	NAME	QT.
1	<b>213222</b>	UPPER KNIFE LEVER	
2	<b>304086</b>	SCREW	
3	<b>210178A</b>	UPPER KNIFE CLAMP	
4	<b>5118</b>	SCREW	
5	<b>208579</b>	PIN	
6	<b>XXXXXX</b>	UPPER KNIFE	
7	<b>5088</b>	SCREW	
8	<b>210069</b>	OIL SEAL	
9	<b>206180</b>	WASHER	
10	<b>210314</b>	CRANK/UPPER KNIFE DRIVE	
11	<b>5457</b>	SCREW	
12	<b>210175</b>	PIN	
13	<b>5461</b>	SCREW	
14	<b>206181</b>	COLLAR	
15	<b>5001</b>	SCREW	
16	<b>208235</b>	WASHER	
17	<b>213084</b>	CAP	
18	<b>5012</b>	SCREW	
19	<b>213054</b>	LOWER KNIFE HOLDER	
20	<b>1457</b>	SCREW	
21	<b>202340</b>	SPRING	
22	<b>XXXXXX</b>	LOWER KNIFE	
23	<b>213264-91</b>	CLAMP/LOWER KNIFE	
24	<b>5205</b>	SCREW	

See page 46 for × × × × ×.



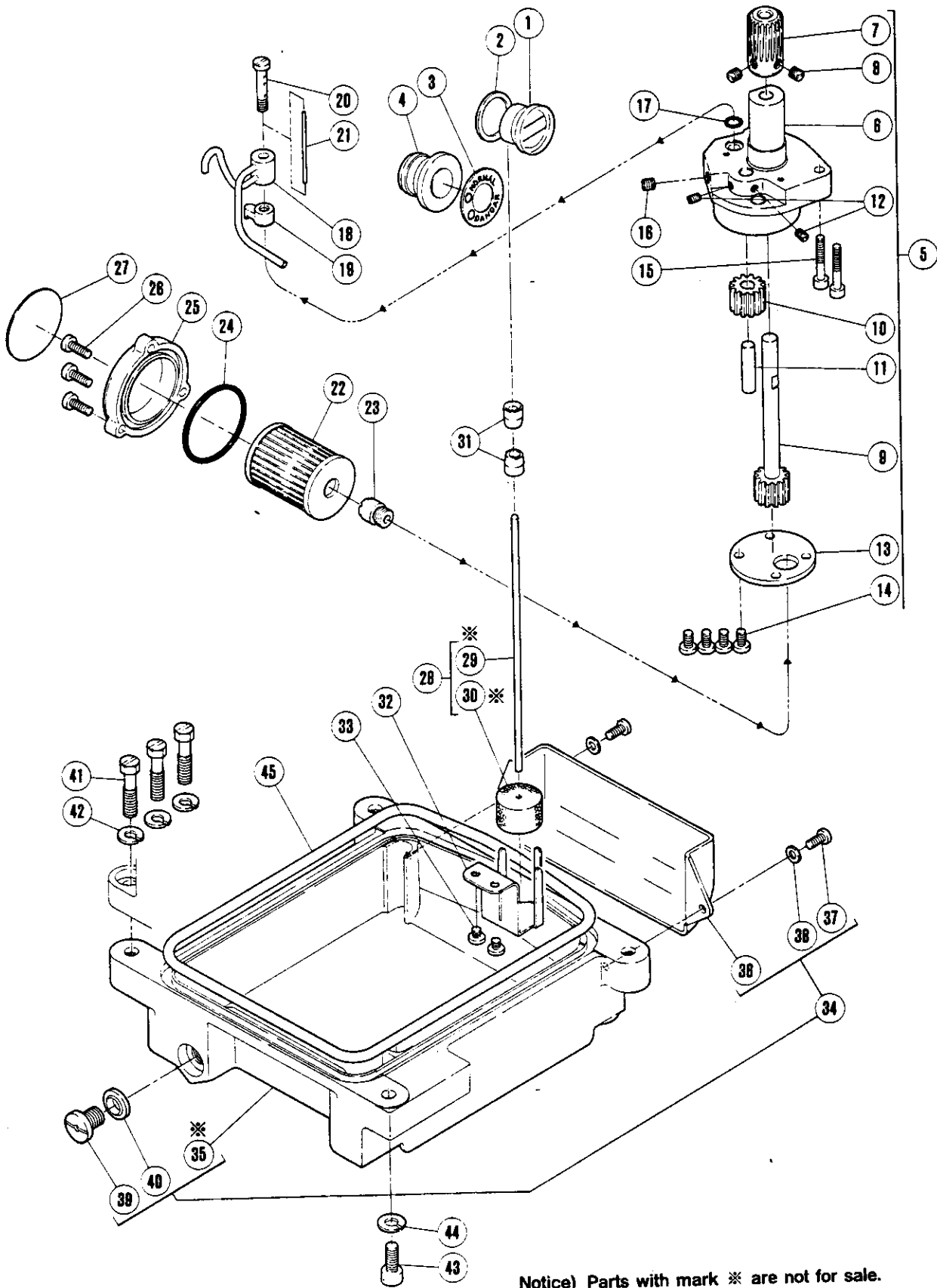
# PRESSER FOOT MECHANISM

MEMO

REF. NO.	PART NO.	NAME	QT.
1	213086	FOOT LIFT LEVER	1
2	7106	SCREW	1
3	5481	SCREW	1
4	210335	LINK/FOOT LIFT LEVER	1
5	212050	LEVER/FOOT LIFT	1
6	5457	SCREW	1
7	207924	WASHER	1
8	5503	SCREW	1
9	3044	NUT	1
10	240172	SPRING	1
11	212039	COLLAR	1
12	5292	SCREW	1
13	213085	BUSHING	1
14	2133-1	SCREW	1
15	210321	PRESSER ARM	1
16	212049	PRESSER ARM HINGE	1
17	210323	PIN	1
18	5292	SCREW	1
19	210326	SHAFT/FOOT LIFT	1
20	202451	CHAINCUTTER	1
21	2921	SCREW	1
22	208525-B	BRACKET/PRESSER FOOT	1
23	5328	SCREW	1
24	XXXXXX	PRESSER FOOT	1
25	201156	SET PLATE/PRESSER FOOT	1
26	5089	SCREW	1
27	XXXXXX	FINGER	1
28	XXXXXX	UNCURLER	1
29	5030	SCREW	1
30	210585	WASHER	1
31	210340	STOPPER	1
32	2921	SCREW	1
33	208774A	ADJUST SCREW	1
34	210337	SPRING	1
35	208537A91	PRESSER ARM GUIDE	1
36	211941	SPRING	1
37	213087	BRACKET	1
38	5107	SCREW	1
39	5205	SCREW	1
40	213088	HAND LIFT LEVER	1
41	5636	SCREW	1
42	213089	SPRING	1
43	5545	SCREW	1
44	256038	STOPPER	1
45	5113	SCREW	1

See page 46 for × × × × ×.

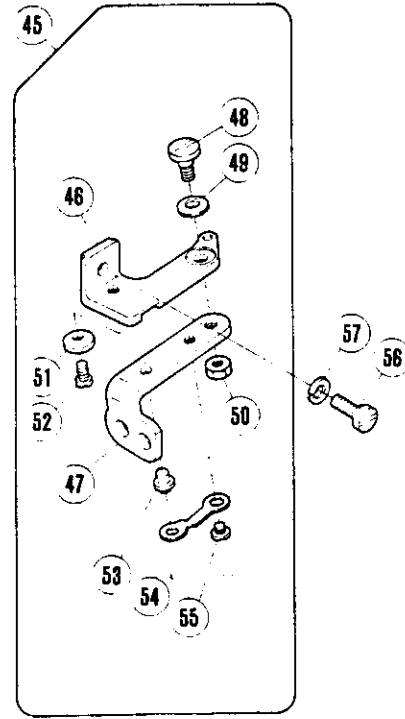
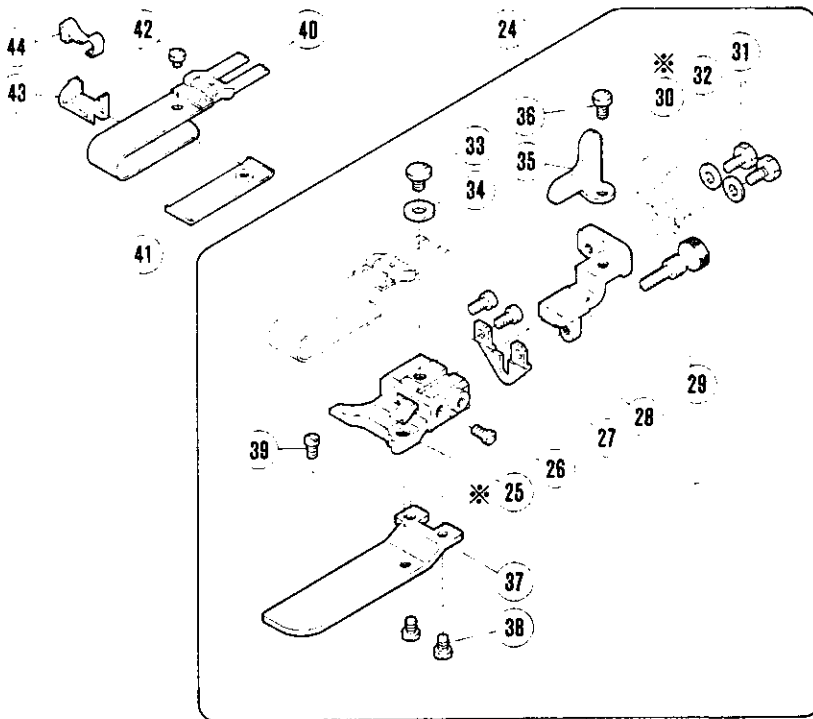
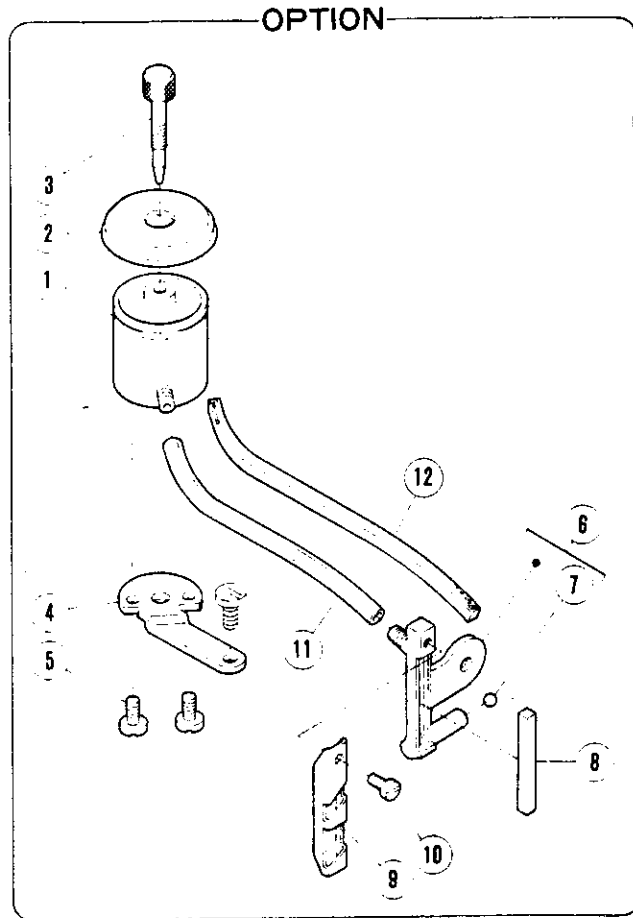
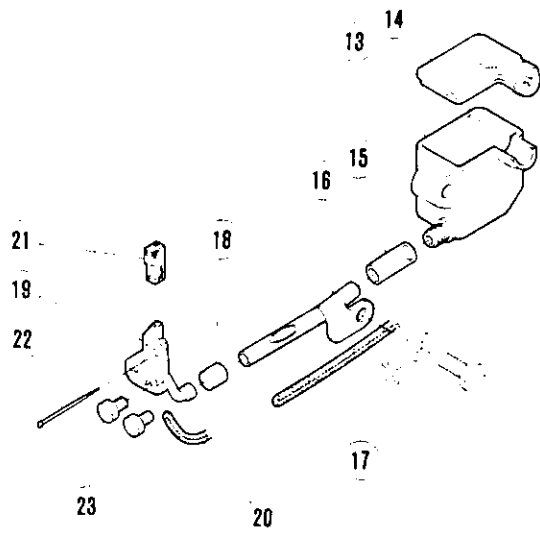




# LUBRICATING MECHANISM

MEMO

REF. NO.	PART NO.	NAME	QT.
1	<b>210190</b>	OIL LEVEL GAUGE	1
2	<b>211369</b>	WASHER	1
3	<b>210199</b>	NAME PLATE/OIL MONITOR	1
4	<b>210198</b>	OIL MONITOR COMPLETE	1
5	<b>211532</b>	GEAR PUMP COMPLETE	1
6	<b>210188</b>	GEAR PUMP	1
7	<b>211531</b>	WORM WHEEL	1
8	<b>5060</b>	SCREW	2
9	<b>208687</b>	GEAR	1
10	<b>201295</b>	GEAR	1
11	<b>204184</b>	PUMP GEAR SHAFT	1
12	<b>1458</b>	SCREW	2
13	<b>201293A</b>	PLATE	1
14	<b>5117</b>	SCREW	4
15	<b>5095</b>	SCREW	2
16	<b>5385</b>	SCREW	1
17	<b>204185</b>	O RING	1
18	<b>212188</b>	OIL DISTRIBUTOR	1
19	<b>210202</b>	LUBRICATION BLOCK	1
20	<b>210204</b>	SCREW	1
21	<b>210205</b>	OIL FLOW ADJUST PIN	1
22	<b>206233</b>	OIL FILTER	1
23	<b>210200</b>	BRACKET/OIL FILTER	1
24	<b>206431</b>	O RING	1
25	<b>210201-CD</b>	OIL FILTER CAP	1
26	<b>5118</b>	SCREW	3
27	<b>9A3002</b>	FILTER SEAL	1
28	<b>210193</b>	INDICATOR COMPLETE	1
29	<b>210192</b>	INDICATOR	1
30	<b>179257-05</b>	FLOAT	1
31	<b>210194</b>	INDICATOR GUIDE	1
32	<b>210510</b>	INDICATOR SUPPORT	1
33	<b>2905</b>	SCREW	2
34	<b>213056-91</b>	OIL RESERVOIR COMPLETE	1
35	<b>213057</b>	OIL RESERVOIR	1
36	<b>213058</b>	AIR GUIDE	1
37	<b>5441</b>	SCREW	2
38	<b>202286</b>	WASHER	2
39	<b>5138B</b>	SCREW	1
40	<b>202287A</b>	WASHER	1
41	<b>5133</b>	BOLT	3
42	<b>202045</b>	WASHER	3
43	<b>5457</b>	SCREW	1
44	<b>202045</b>	WASHER	1
45	<b>213059</b>	GASKET	1

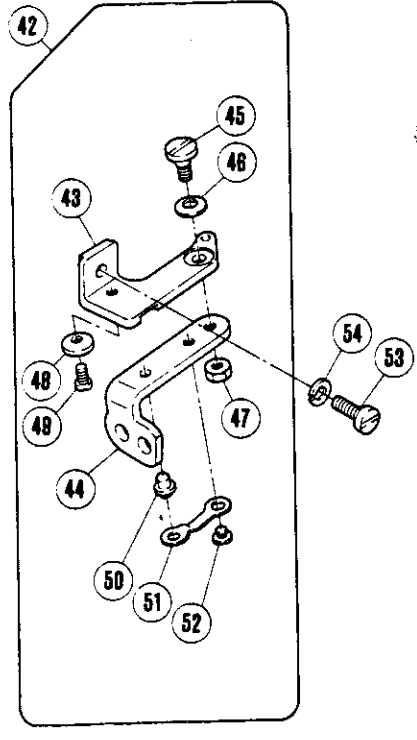
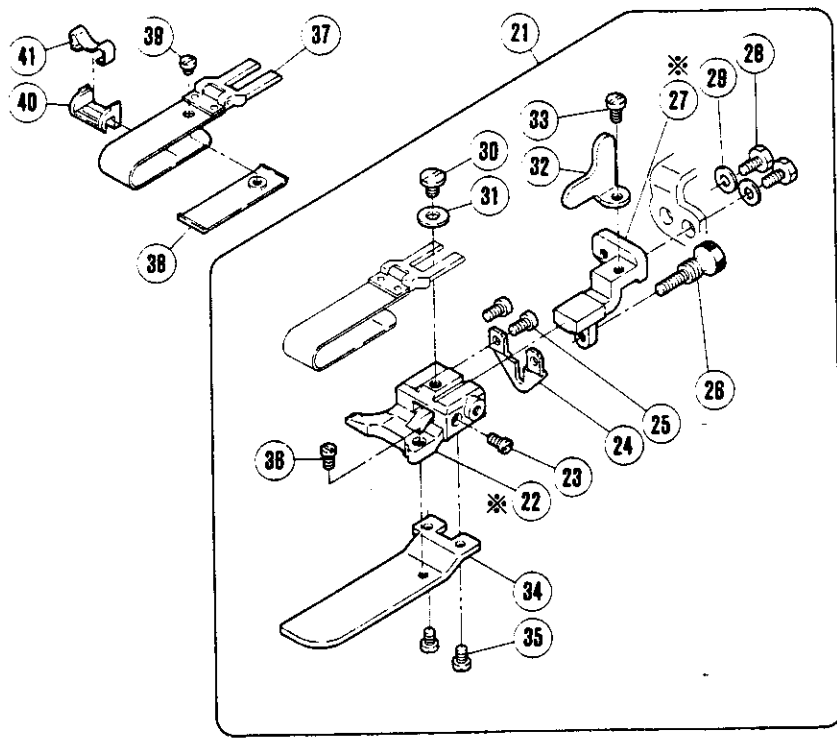
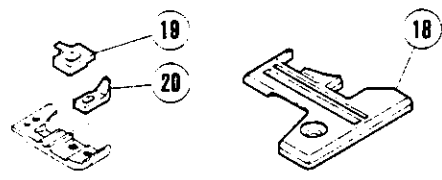
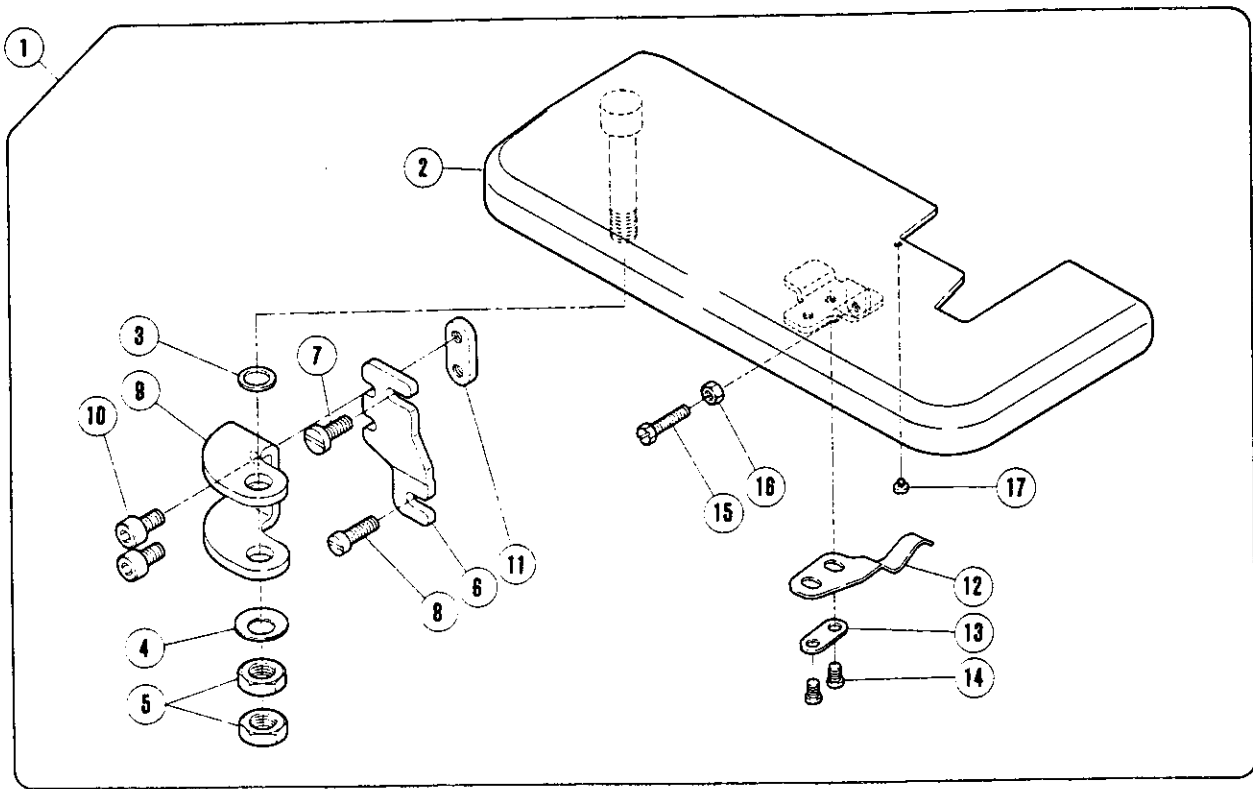


Notice) Parts with mark ※ are not for sale.

H.R. DEVICE  
BLINDHEMMING

MEMO

REF. NO.	PART NO.	NAME	QT.
1	202476-1	SILICONE OIL RESERVOIR	1
2	202476-4	CAP	1
3	202476-3	SILICONE OIL REGULATOR	1
4	211317	BRACKET	1
5	1202	SCREW	2
6	212635-ME	NEEDLE COOLER ASSEMBLY	1
7	240097	PLUG	1
8	211318	OIL FELT	1
9	211316	THREAD GUIDE	1
10	1202	SCREW	1
11	211319	OIL TUBE	1
12	204270	OIL FELT	1
13	213081	SILICONE RESERVOIR	1
14	213082	CAP	1
15	240176	OIL TUBE	1
16	213091-91	PIPE ASSEMBLY	1
17	202176	OIL WICK	1
18	240192	OIL TUBE	1
19	213078-91	NEEDLE COOLER COMPLETE	1
20	202174	OIL WICK	1
21	213090	OIL FELT	1
22	210766	PIN	1
23	1216	SCREW	2
24	210691A91	CLOTH GUIDE COMPLETE	1
25	205361A	CLOTH GUIDE	1
26	5057	SCREW	1
27	210689	ADJUSTING PLATE	1
28	5157	SCREW	2
29	2430	SCREW	1
30	210690	BRACKET/CLOTH GUIDE	1
31	5088	SCREW	2
32	167066	WASHER	2
33	2905	SCREW	1
34	137142	WASHER	1
35	210692	STOPPER	1
36	1206	SCREW	1
37	213095	AUX. PLATE	1
38	1229	SCREW	2
39	5057	SCREW	1
40	201211B	FOLDER 40MM	1
41	205835	AUXILIARY PLATE	1
42	5299	SCREW	1
43	303312A	REGULATOR	1
44	303313	REGULATOR CLAMP	1
45	210685	CLOTH GUIDE BRACKET ASSEMBLY	1
46	210680	CLOTH GUIDE BRACKET	1
47	210681	HINGE	1
48	5184	SCREW	1
49	201191	WASHER	1
50	3044	NUT	1
51	210682	STOPPER	1
52	5053	SCREW	1
53	210683	HINGE PIN	1
54	210684	HINGE SPRING	1
55	2906	SCREW	1
56	5118	SCREW	1
57	202286	WASHER	1

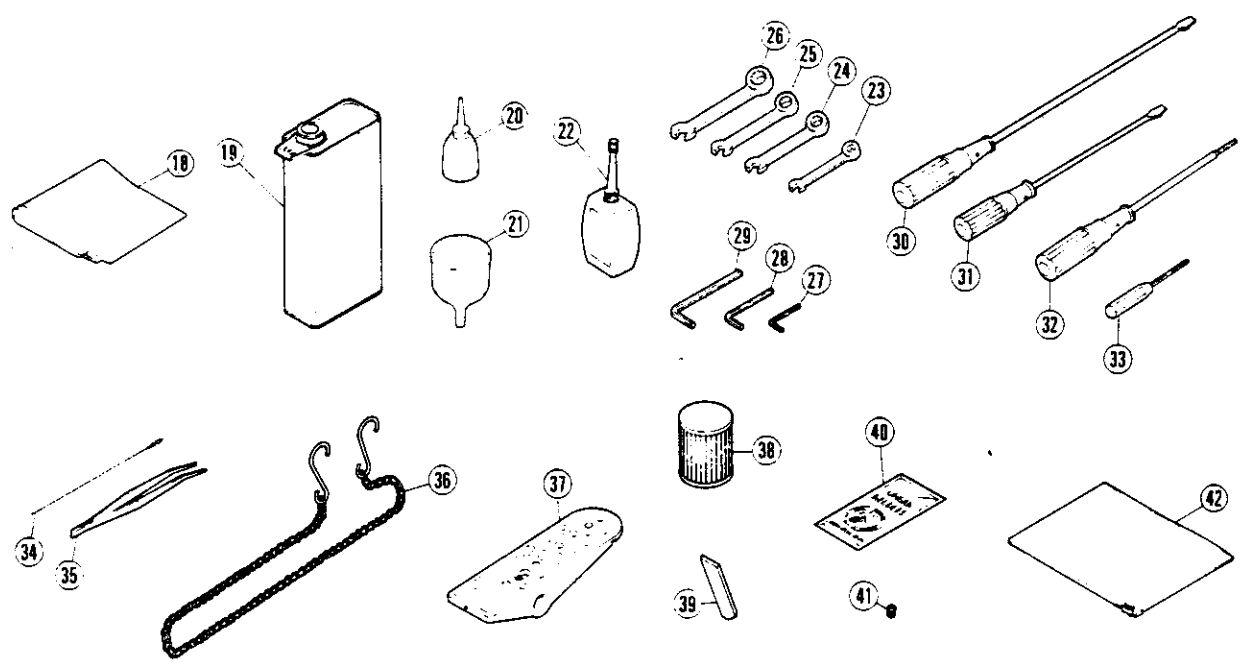
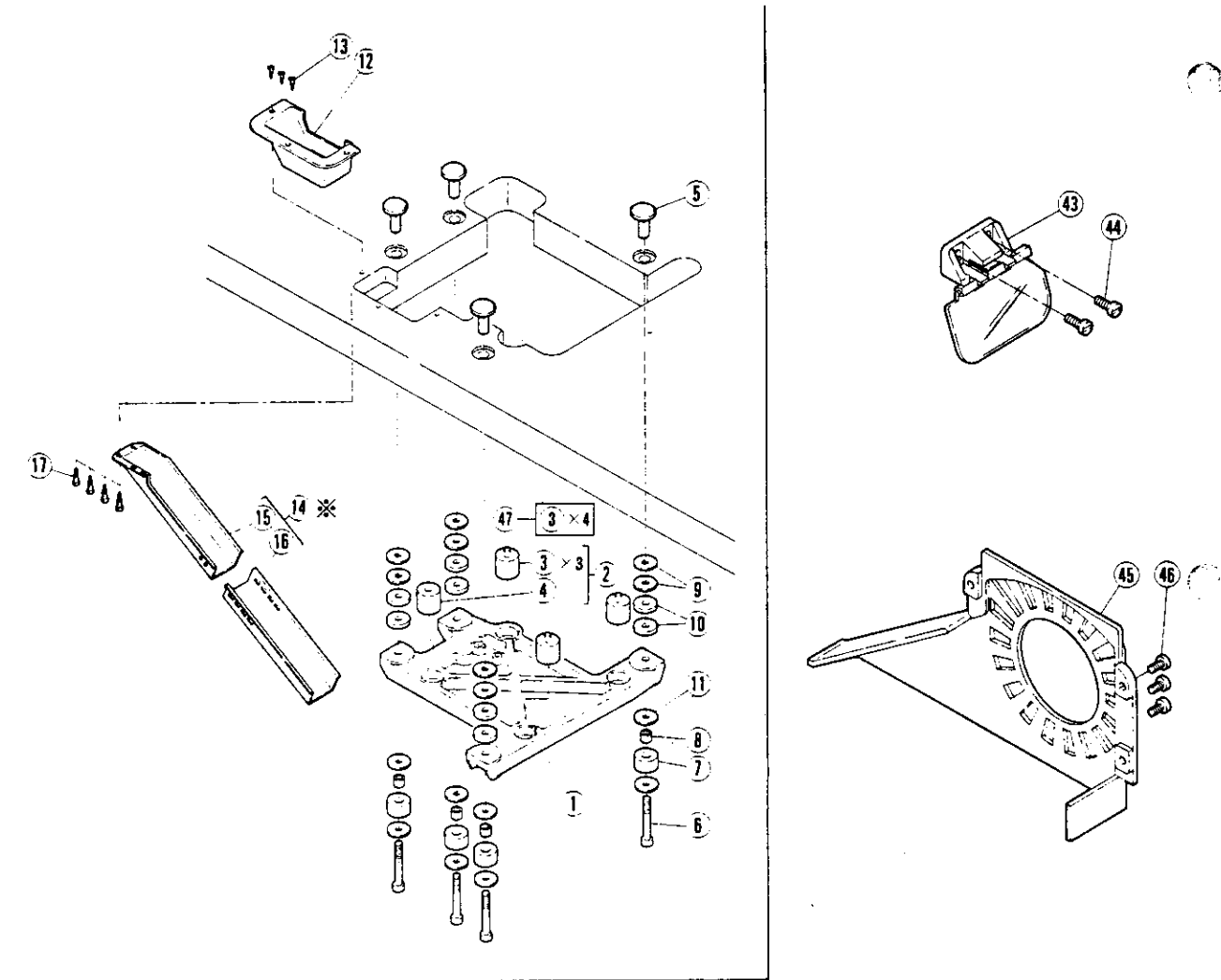


Notice) Parts with mark \* are not for sale.

# SPECIFIC PARTS FOR 965 I - I 37

MEMO

REF. NO.	PART NO.	NAME	QT.
1	<b>213265-91</b>	CLOTH PLATE COMPLETE	1
2	<b>213266-91</b>	CLOTH PLATE	1
3	<b>207045</b>	WASHER	1
4	<b>204888</b>	SPRING WASHER	1
5	<b>3154</b>	NUT	2
6	<b>213270</b>	BRACKET/SIDE COVER	1
7	<b>5118</b>	SCREW	1
8	<b>5187</b>	SCREW	1
9	<b>213271</b>	BRACKET	1
10	<b>5579</b>	SCREW	2
11	<b>213272</b>	BRACKET	1
12	<b>204218</b>	FLAT SPRING	1
13	<b>200162A</b>	WASHER	1
14	<b>5053</b>	SCREW	2
15	<b>5121A</b>	SCREW	1
16	<b>3091</b>	NUT	1
17	<b>5428</b>	SCREW	1
18	<b>213100-40</b>	NEEDLE PLATE	1
19	<b>211993</b>	FINGER	1
20	<b>211994</b>	FINGER	1
21	<b>210691A91</b>	CLOTH GUIDE COMPLETE	1
22	<b>205361A</b>	CLOTH GUIDE	1
23	<b>5057</b>	SCREW	1
24	<b>210689</b>	ADJUSTING PLATE	1
25	<b>5157</b>	SCREW	2
26	<b>2430</b>	SCREW	1
27	<b>210690</b>	BRACKET/CLOTH GUIDE	1
28	<b>5088</b>	SCREW	2
29	<b>167066</b>	WASHER	2
30	<b>2905</b>	SCREW	1
31	<b>137142</b>	WASHER	1
32	<b>210692</b>	STOPPER	1
33	<b>1206</b>	SCREW	1
34	<b>213095</b>	AUX. PLATE	1
35	<b>1229</b>	SCREW	2
36	<b>5057</b>	SCREW	1
37	<b>201211B</b>	FOLDER 40MM	1
38	<b>205835</b>	AUXILIARY PLATE	1
39	<b>5299</b>	SCREW	1
40	<b>303312A</b>	REGULATOR	1
41	<b>303313</b>	REGULATOR CLAMP	1
42	<b>210685</b>	CLOTH GUIDE BRACKET ASSEMBLY	1
43	<b>210680</b>	CLOTH GUIDE BRACKET	1
44	<b>210681</b>	HINGE	1
45	<b>5184</b>	SCREW	1
46	<b>201191</b>	WASHER	1
47	<b>3044</b>	NUT	1
48	<b>210682</b>	STOPPER	1
49	<b>5053</b>	SCREW	1
50	<b>210683</b>	HINGE PIN	1
51	<b>210684</b>	HINGE SPRING	1
52	<b>2906</b>	SCREW	1
53	<b>5118</b>	SCREW	1
54	<b>202286</b>	WASHER	1



Notice) Parts with mark ※ are not for sale.

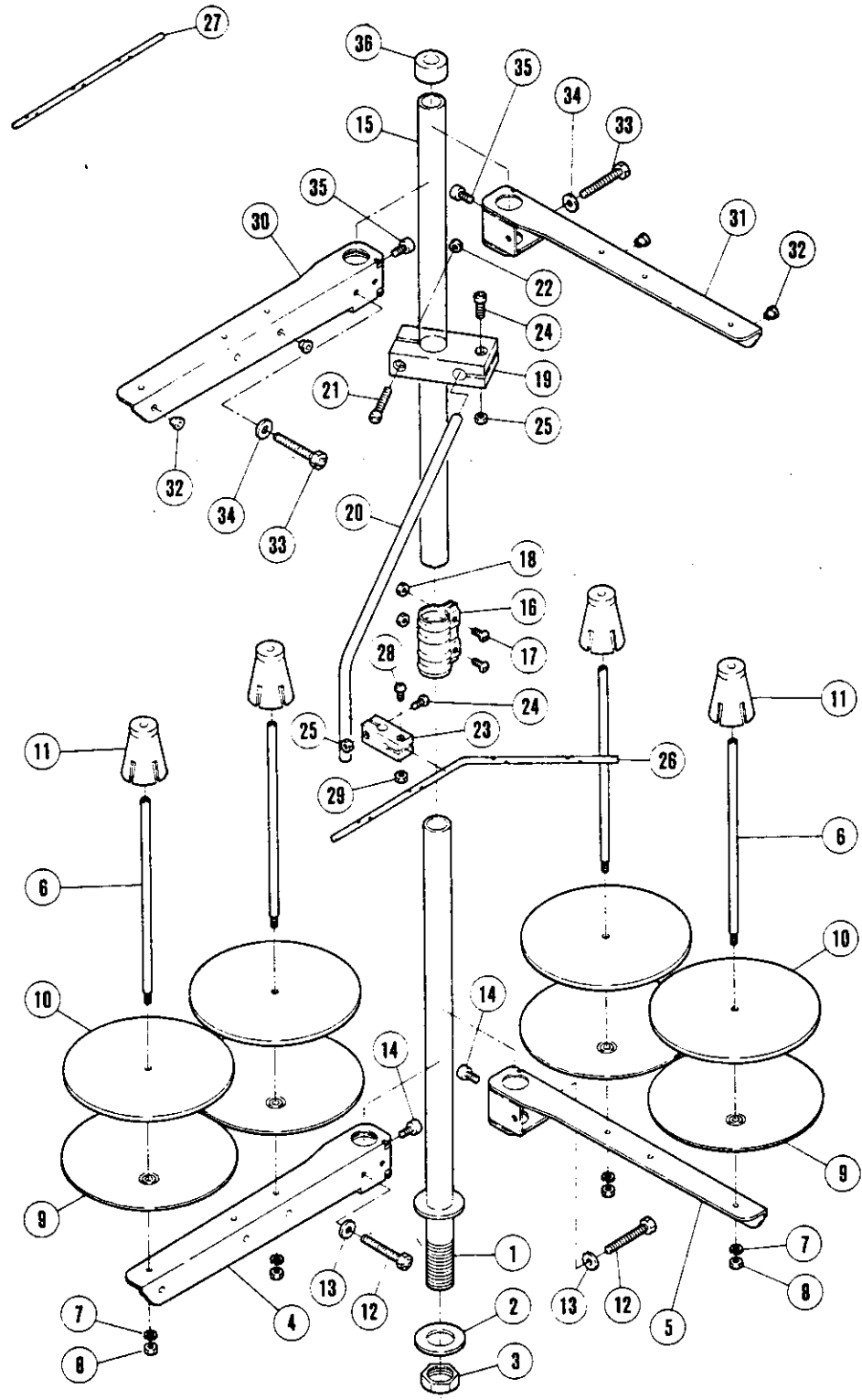
PARTS FOR SEMI-SUBMERGED INSTALLATION  
**ACCESSORIES**

MEMO

REF. NO.	PART NO.	NAME
1	<b>213083</b>	MACHINE REST BOARD
2	<b>9029</b>	CUSHION RUBBER SET
3	<b>205473</b>	CUSHION RUBBER
4	<b>210523</b>	CUSHION RUBBER
5	<b>206336</b>	NUT
6	<b>4513</b>	HANGER BOLT
7	<b>205764</b>	CUSHION RUBBER
8	<b>205765</b>	LINER
9	<b>206337</b>	WASHER
10	<b>205467</b>	SPACER
11	<b>206337</b>	WASHER
12	<b>205470AJA</b>	WASTE CHUTE TOP
13	<b>4904</b>	SCREW
14	<b>9106</b>	WASTE CHUTE SET
15	<b>205468-JA</b>	UPPER CHUTE
16	<b>205469-JA</b>	LOWER CHUTE
17	<b>4905</b>	SCREW
18	<b>908</b>	COVER
19	<b>453</b>	OIL CONTAINER/1000CC
20	<b>485</b>	OILER
21	<b>484</b>	OIL FUNNEL
22	<b>178</b>	CONTAINER - SILICONE
23	<b>391</b>	WRENCH/5MM
24	<b>283</b>	WRENCH 6MM
25	<b>284</b>	WRENCH 7MM
26	<b>285</b>	WRENCH/8MM
27	<b>322</b>	ALLEN KEY/2.38MM
28	<b>200</b>	ALLEN KEY/4.76MM
29	<b>272</b>	ALLEN KEY/6MM
30	<b>127</b>	SCREWDRIVER (LARGE)
31	<b>128</b>	SCREWDRIVER (MEDIUM)
32	<b>414</b>	ALLEN WRENCH/3.17MM
33	<b>179</b>	DRIVER
34	<b>153</b>	THREADING WIRE
35	<b>131</b>	TWEEZERS
36	<b>392</b>	CHAIN
37	<b>480</b>	PEDAL
38	<b>206233</b>	OIL FILTER
39	<b>XXXXXX</b>	LOWER KNIFE
40	<b>XXXXXX</b>	NEEDLE
41	<b>5292</b>	SCREW
42	<b>482</b>	ACCESSORY BAG
43	<b>208747</b>	EYE GUARD COMPLETE
44	<b>1175-3</b>	SCREW
45	<b>210028-CD</b>	'BELT COVER'
46	<b>5117</b>	SCREW
47	<b>9020</b>	CUSHION RUBBER SET

See page 46 for x x x x x.





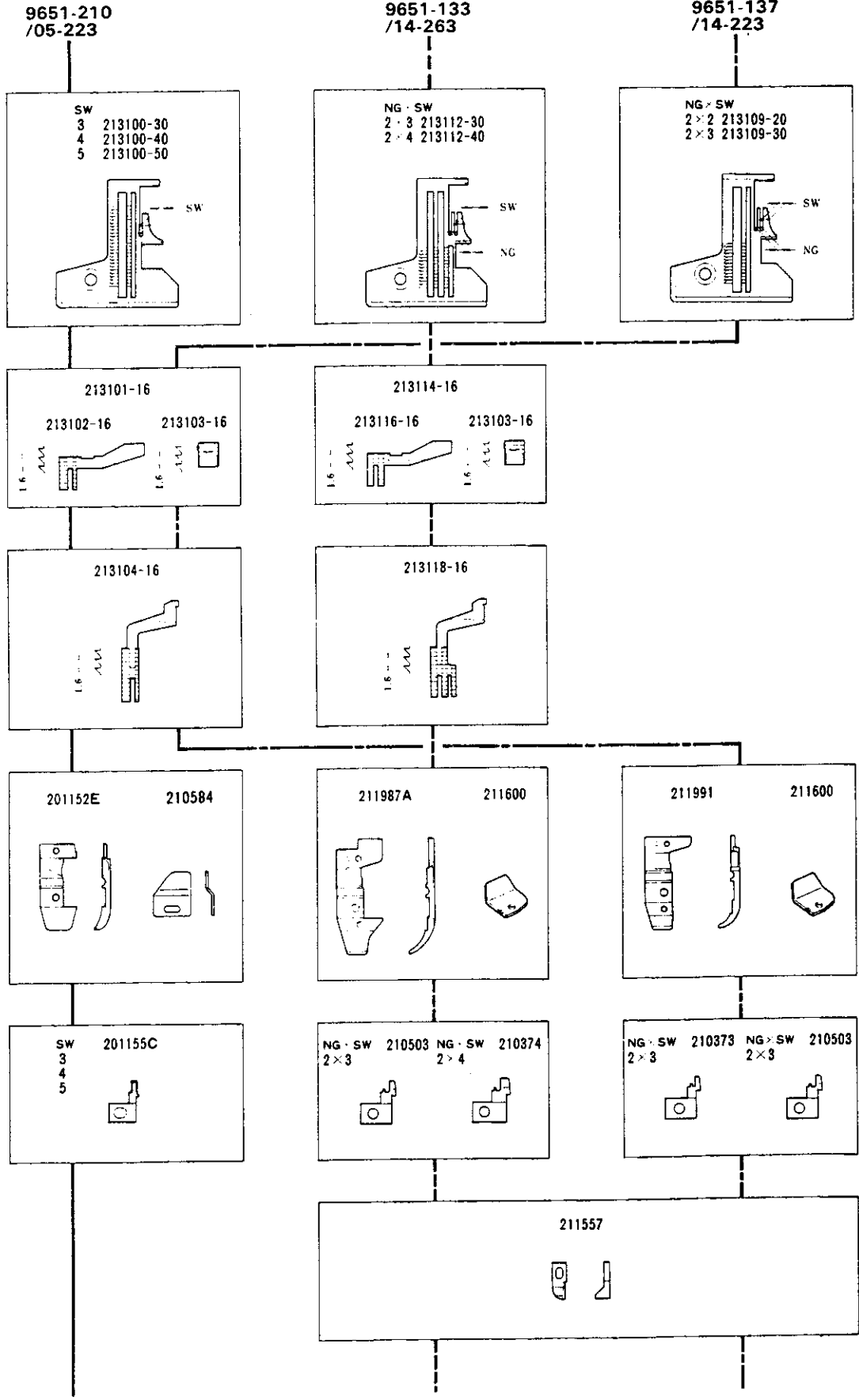
# THREAD STAND

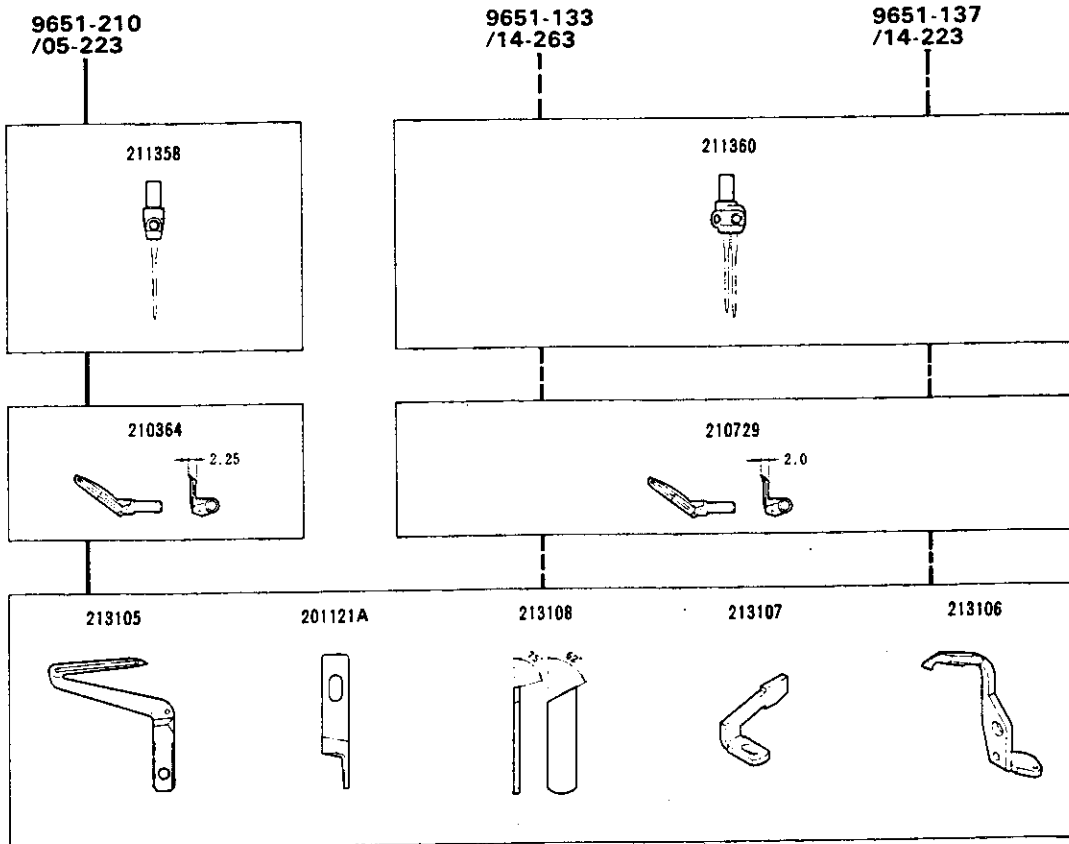
MEMO




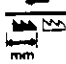


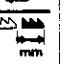
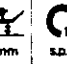

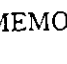

REF. NO.	PART NO.	NAME	3-spools	4-spools
	<b>486C9C</b>	THREAD STAND ASSEMBLY	1	
	<b>486B9C</b>	THREAD STAND ASSEMBLY		1
1	<b>503-CA</b>	THREAD STAND ROD	1	1
2	<b>509</b>	WASHER	1	1
3	<b>5476</b>	NUT	1	1
4	<b>505-CA</b>	BRACKET	1	
5	<b>505ACA</b>	BRACKET		2
6	<b>380A</b>	SPOOL PIN	3	4
7	<b>201252</b>	WASHER	3	4
8	<b>4803</b>	NUT	3	4
9	<b>381-CA</b>	SPOOL TRAY	3	4
10	<b>507</b>	CUSHION	3	4
11	<b>382-CA</b>	SPOOL RETAINING FIN	3	4
12	<b>7102</b>	SCREW	1	2
13	<b>512</b>	WASHER	1	2
14	<b>4022</b>	SCREW	1	2
15	<b>502-CA</b>	THREAD STAND ROD	1	1
16	<b>504-CA</b>	JOINT	1	1
17	<b>4021</b>	SCREW	2	2
18	<b>4805</b>	NUT	2	2
19	<b>383-CA</b>	BRACKET	1	1
20	<b>384</b>	THREAD GUIDE BAR ROD	1	1
21	<b>4014</b>	SCREW	1	1
22	<b>4803</b>	NUT	1	1
23	<b>233-CA</b>	HOLDER	1	1
24	<b>4012</b>	SCREW	2	2
25	<b>4803</b>	NUT	2	2
26	<b>293C</b>	THREAD GUIDE BAR	1	
27	<b>293B</b>	THREAD GUIDE BAR		1
28	<b>4012</b>	SCREW	1	1
29	<b>4803</b>	NUT	1	1
30	<b>505-CA</b>	BRACKET	1	
31	<b>505ACA</b>	BRACKET		2
32	<b>506</b>	THREAD EYELET	3	4
33	<b>7102</b>	SCREW	1	2
34	<b>512</b>	WASHER	1	2
35	<b>4022</b>	SCREW	1	2
36	<b>386</b>	ROD CAP	1	1

# 9651-210, 133, 137

# GAUGE PARTS CONSTRUCTION CHART

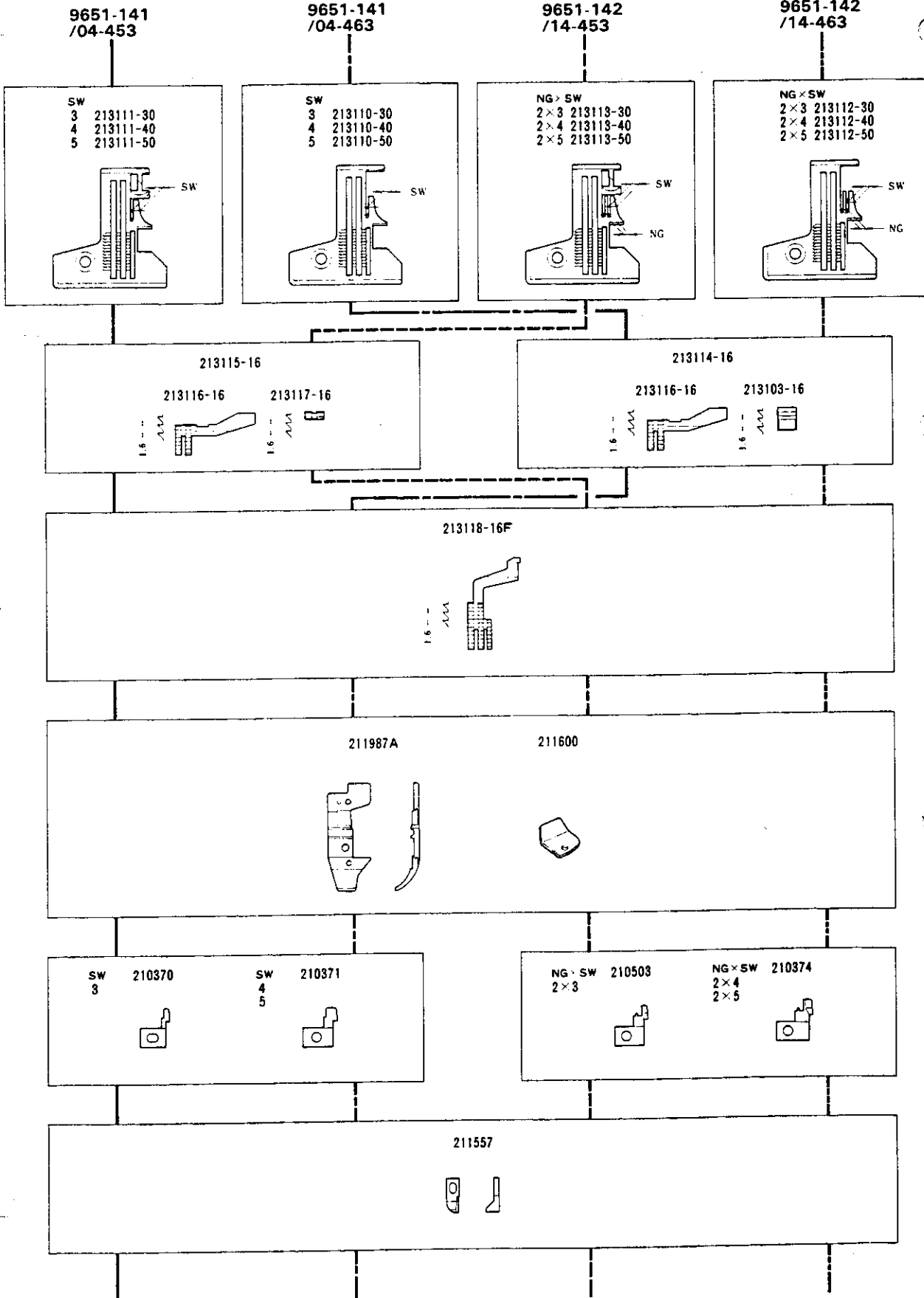


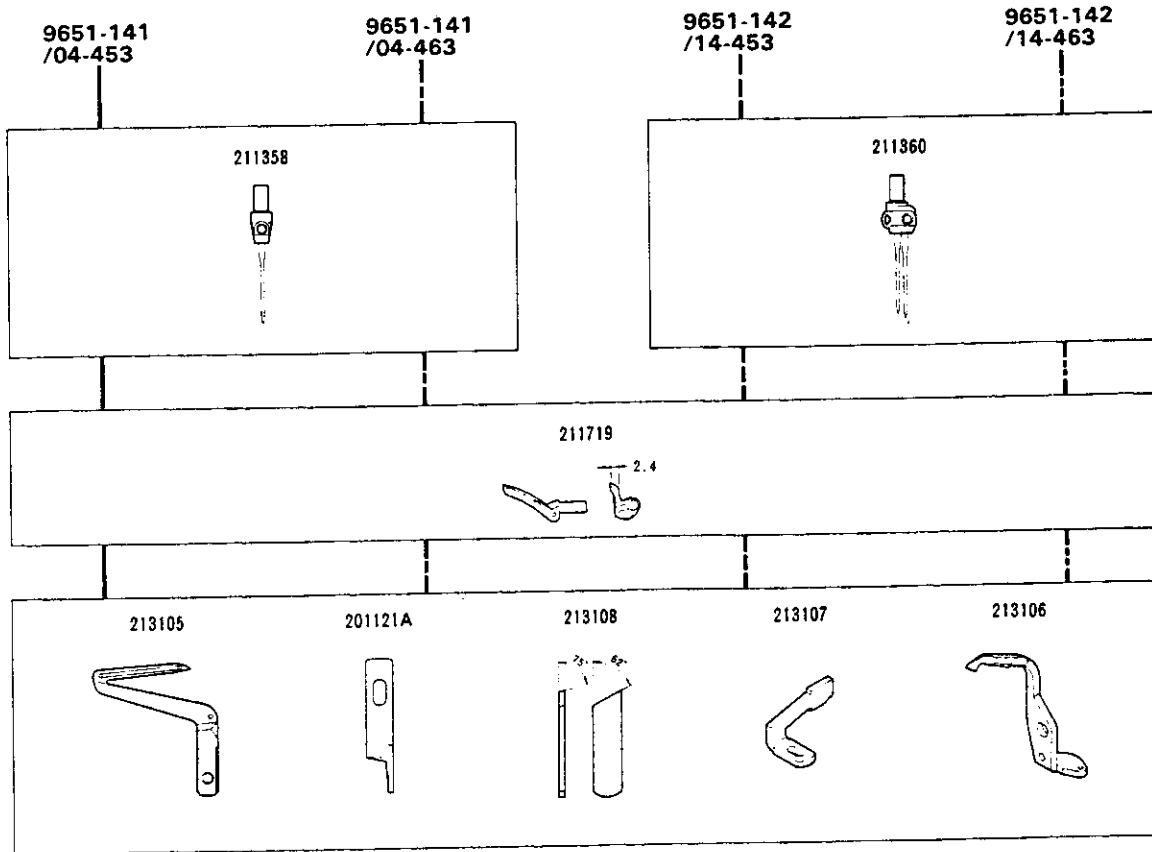


										MEMO	
<b>9651-210 /05-223</b>	Standard lift	1	3	1.1~3.2	3, ④, 5	1.65~4.0	5.5	8,000			For blindstitch hemming and hemming the openings of sleeves on light to medium weight articles such as T-shirts and underwear.
<b>9651-133 /14-263</b>	Standard lift	2	4	1.1~3.2	2	③, 4	1.65~6.4	5.5	7,500		Designed for attaching rib elastic to the hems and cuffs of lightweight poloshirts and sports shirts, and overedging ladies underwear.
<b>9651-137 /14-223</b>	Standard lift	2	4	1.1~3.2	2	2, ③	1.65~4.0	5.5	7,500		A multi-purpose machine which can be used for blindstitch hemming or 1- or 2-needle plain seaming.

# 9651-141, 142

# GAUGE PARTS CONSTRUCTION CHART





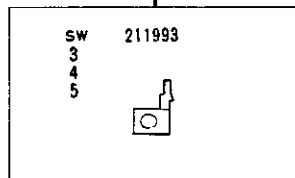
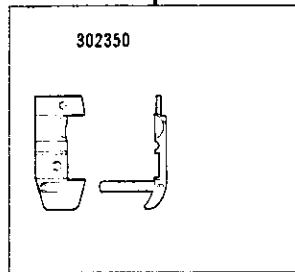
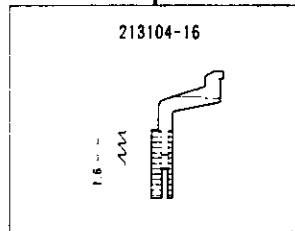
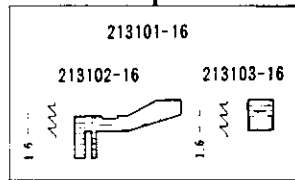
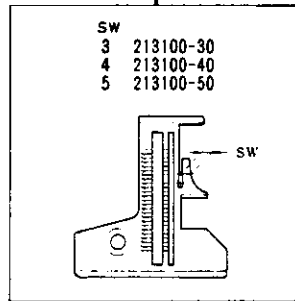
**9651-141**  
**/04-453, 463**  
 SW  
 3 213108A  
 4 213108  
 5 213108

										MEMO	
<b>9651-141 /04-453</b>	Extra-high lift	1	3	1.1-3.2	3, 4, 5	1.65-6.4	6.5	6,300		Ideal for attaching tubular elastics which are difficult to feed under tension. (Needle plate with chaining-land)	
<b>9651-141 /04-463</b>	Extra-high lift	1	3	1.1-3.2	3, 4, 5	1.65-6.4	6.5	6,300		Ideal for rib elastic attaching operations on the hems and cuffs of medium to heavy weight articles such as poloshirts, trainers, etc.	
<b>9651-142 /14-453</b>	Extra-high lift	2	4	1.1-3.2	2	3, 4, 5	1.65-6.4	6.5	6,000	Ideal for attaching tubular elastics which are difficult to feed under tension. (Needle plate with chaining-land)	
<b>9651-142 /14-463</b>	Extra-high lift	2	4	1.1-3.2	2	3, 4, 5	1.65-6.4	6.5	6,000	Ideal for rib elastic attaching operations on the hems and cuffs of medium to heavy weight articles such as poloshirts, trainers, etc. (2-needle machine).	

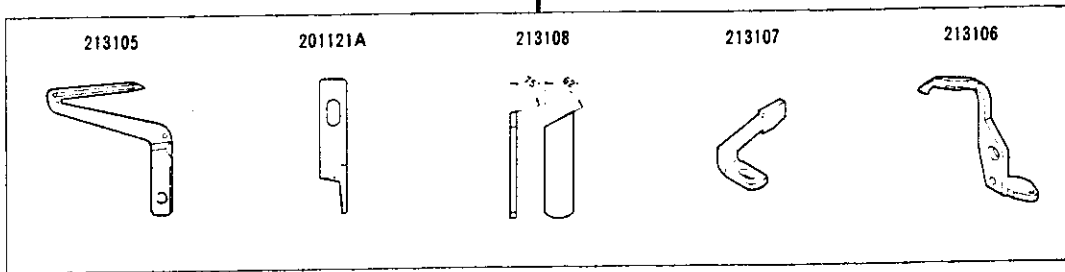
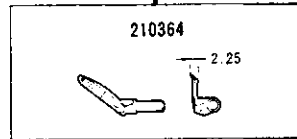
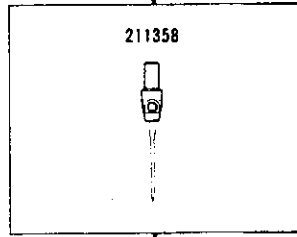
# 9651-213

## GAUGE PARTS CONSTRUCTION CHART

9651-213  
/05-223



9651-213  
/05 223



										MEMO	
9651-213 /05-223	Standard lift	3	1.1-3.2 mm	3, 4, 5 mm	1.65-4.0 mm	5.5 mm	8,000 s.p.m				Used in the pneumatically controlled hemming unit (PH200).



965 I GAUGE PARTS LIST



MACHINE TYPE /SPEC.	GAUGE		NEEDLE PLATE	MAIN FEED DOG ASS.	DIFF. FEED DOG	PRESSER FOOT		NEEDLE HOLDER	DIFFER LOOPER	LOWER LOOPER	UPPER KNIFE	LOWER KNIFE		NEEDLE GUARD		UNCPLR	(DCX2?) REFLINE
	NR	SW				CINGER	UNCPLR					213108A	213108	(FRONT)	(REAR)		
9651-141 /04-453		3 4 5	213111-30 -40 -50	213115-16 " "	213118-16 " "	211987A " "	210370 210371	211600 "	211358 "	211719 " #38	213105 "	201121A "	213108 "	213107 "	213106 "	211557 "	629 #11
9651-141 /04-463		3 4 5	213110-30 -40 -50	213114-16 " "	213118-16 " "	211987A " "	210370 210371	211600 "	211358 "	211719 " #38	213105 "	201121A "	213108A 213108	213107 "	213106 "	211557 "	629 #11
9651-210 /05-223		3 4 5	213100-30 -40 -50	213101-16 " "	213104-16 " "	201152E "	201155C "	210584 "	211358 "	210364 " #22	213105 "	201121A "	213108A 213108	213107 "	213106 "	----- "	629 #11
9651-213 /05-223		3 4 5	213100-30 -40 -50	213101-16 " "	213104-16 " "	302350 "	211993 "	----- "	211358 "	210364 " #22	213105 "	201121A "	213108 "	213107 "	213106 "	----- "	629 #11
9651-133 /14-263	2	3 4	213112-30 -40	213114-16 "	213118-16 "	211987A "	210503 210374	211600 "	211360 "	210729 " #30	213105 "	201121A "	213108 "	213107 "	213106 "	211557 "	629 #11
9651-137 /14-223	2	2 3	213109-20 -30	213101-16 "	213104-16 "	211991 "	210373 210503	211600 "	211360 "	210729 " #30	213105 "	201121A "	213108 "	213107 "	213106 "	211557 "	629 #11
9651-142 /14-453	2	3 4 5	213113-30 -40 -50	213115-16 " "	213118-16 " "	211987A "	210503 210374	211600 "	211360 "	211719 " #38	213105 "	201121A "	213108 "	213107 "	213106 "	211557 "	629 #11
9651-142 /14-463	2	3 4 5	213112-30 -40 -50	213114-16 " "	213118-16 " "	211987A "	210503 210374	211600 "	211360 "	211719 " #38	213105 "	201121A "	213108 "	213107 "	213106 "	211557 "	629 #11







# INDEX

PART NO.	PF AFF-NO	PAGE	NO. REF.	PART NO.	PF AFF-NO	PAGE	NO. REF.	PART NO.	PF AFF-NO	PAGE	NO. REF.
301762	09-009	814-38	25 19								
302350	09-009	815-25	21 32								
303312A	09-009	617-99	33 43								
303312A	09-009	617-99	35 40								
303313	09-009	618-00	33 44								
303313	09-009	618-00	35 41								
304086	09-009	814-55	27 2								
306920	09-400	437-00	7 30								
307003	09-009	734-76	25 5								
9A3002	09-009	814-81	31 27								